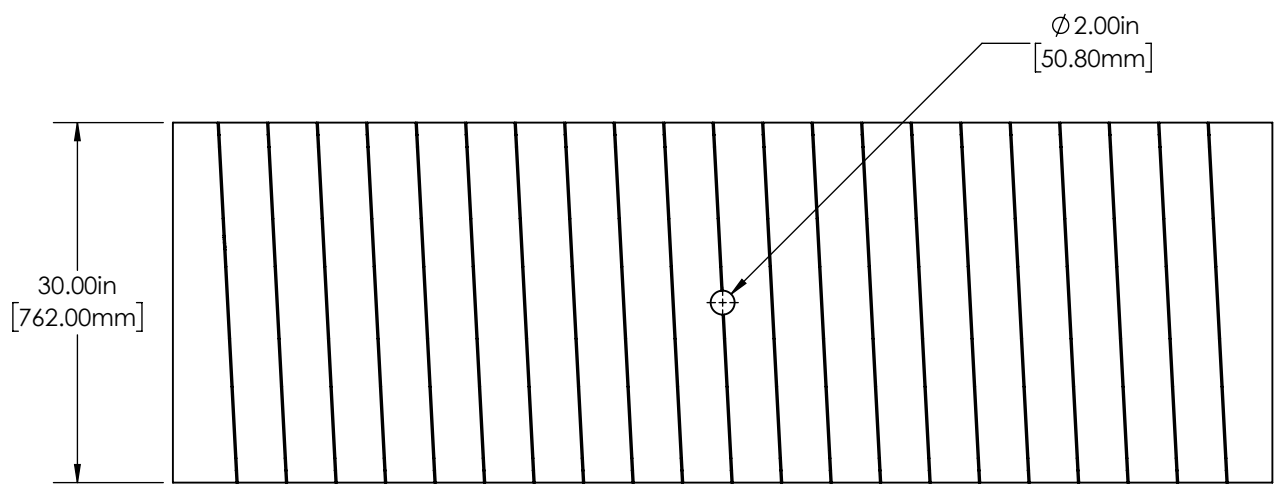
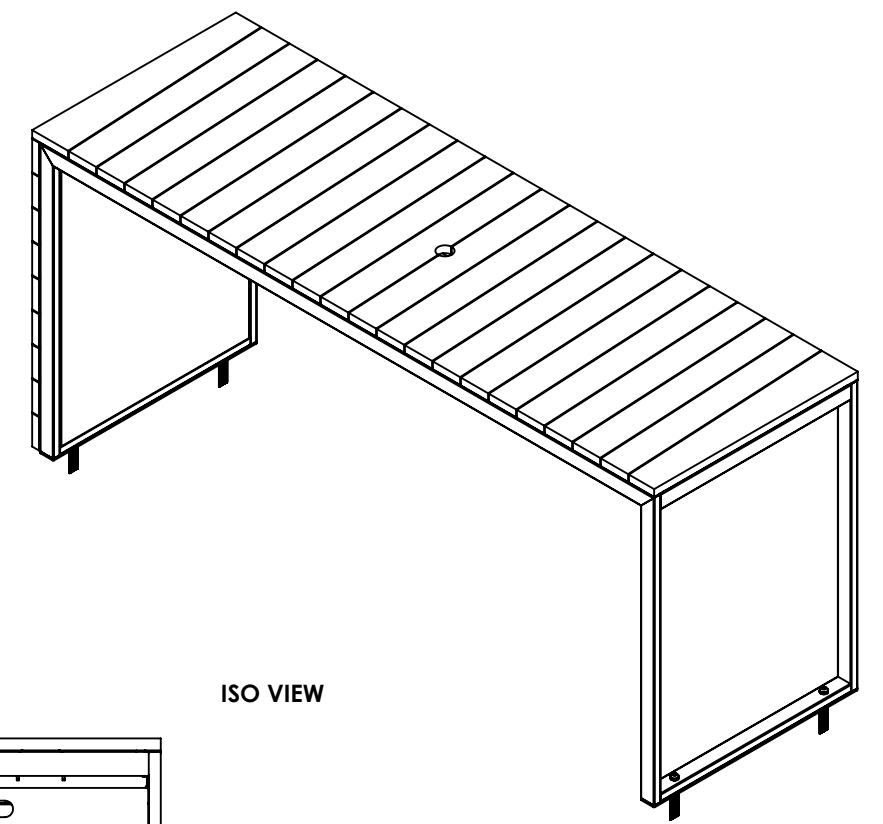


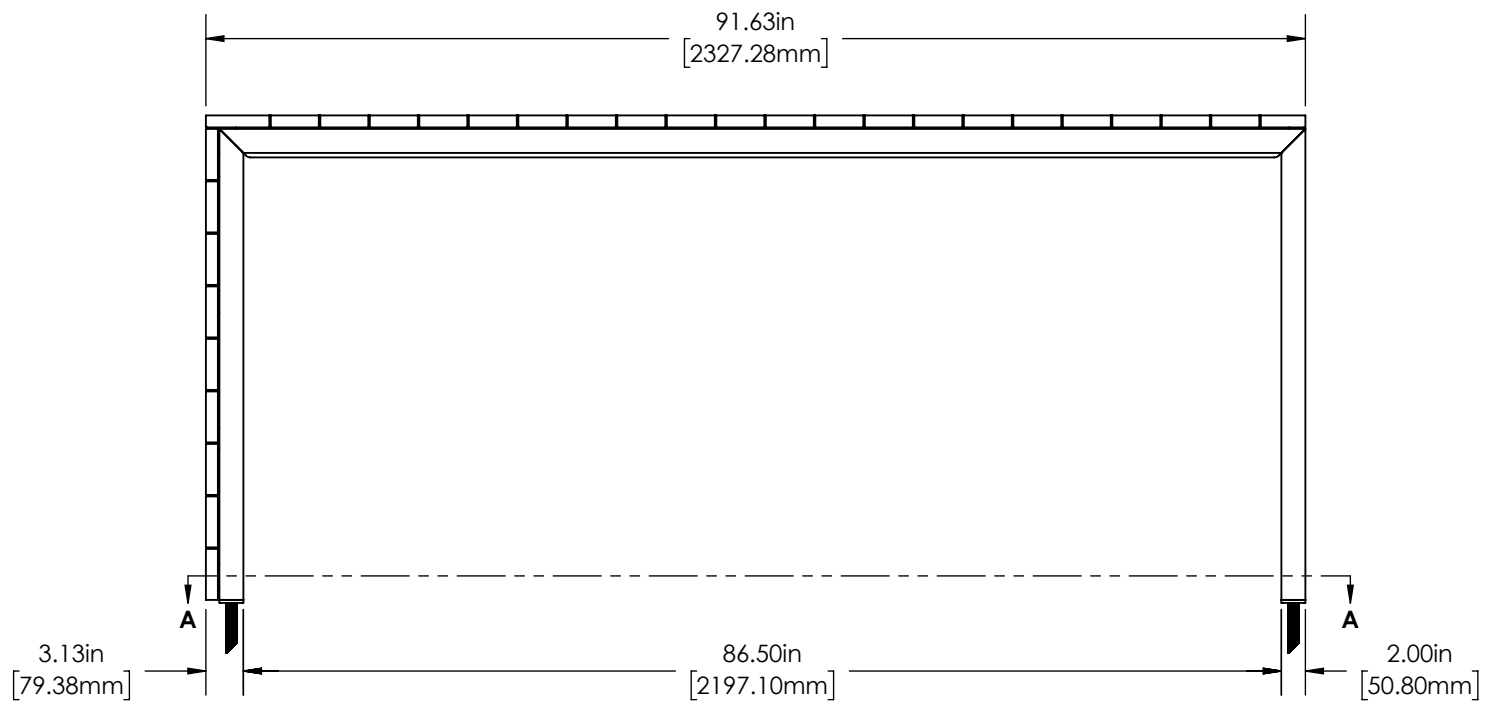
8 7 6 5 4 3 2 1



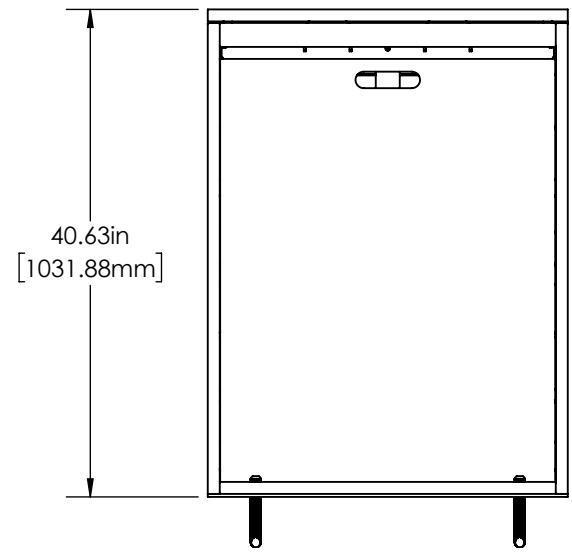
TOP VIEW



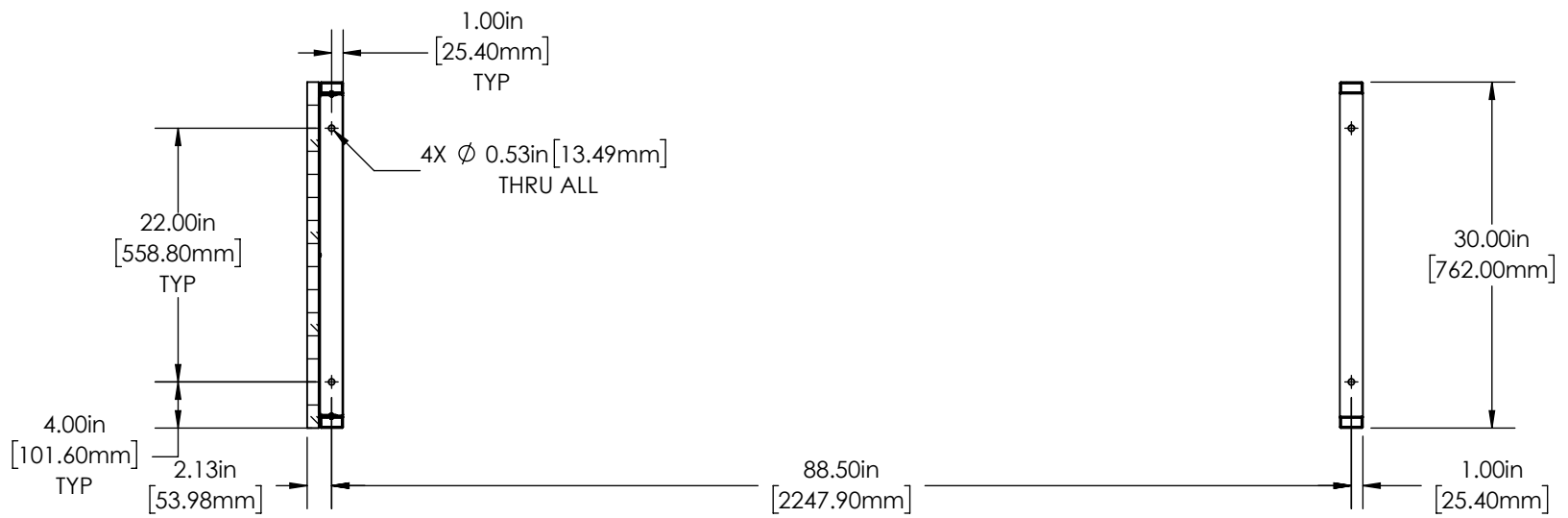
ISO VIEW



FRONT VIEW



SIDE VIEW



SECTION A-A

**NOTE:**  
MOUNTING DIMENSIONS ARE PROVIDED FOR REFERENCE ONLY.  
DO NOT INSTALL ANCHORS PRIOR TO RECEIVING PRODUCT ON SITE.

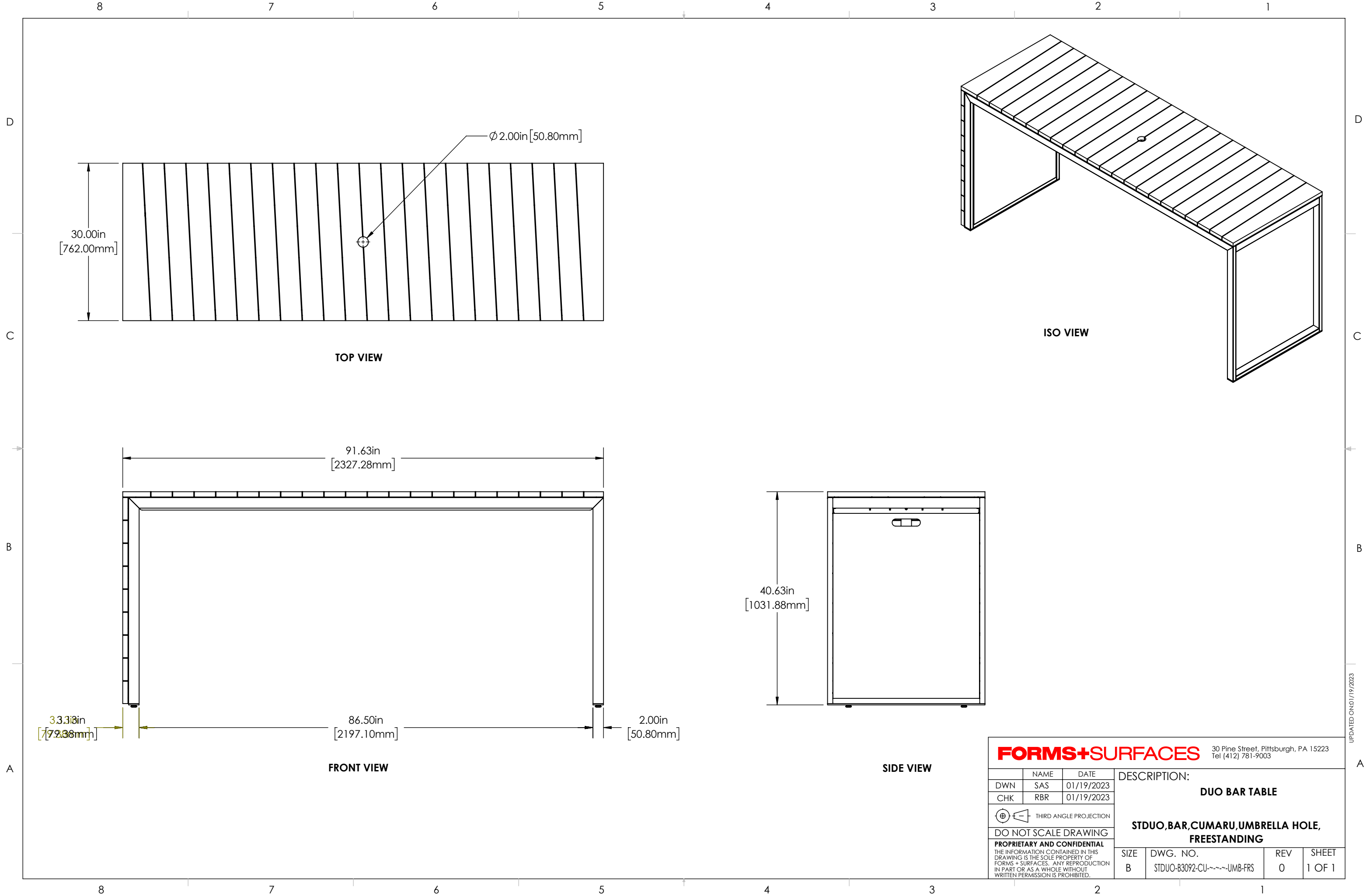
**FORMS+SURFACES** 30 Pine Street, Pittsburgh, PA 15223  
Tel (412) 781-9003

NAME	DATE	DESCRIPTION: <b>DUO BAR TABLE</b>  <b>STDUO, BAR, CUMARU, UMBRELLA HOLE, SURFACE MOUNT</b>								
DWN SAS	01/19/2023									
CHK RBR	01/19/2023									
THIRD ANGLE PROJECTION <b>DO NOT SCALE DRAWING</b> <b>PROPRIETARY AND CONFIDENTIAL</b> <small>THE INFORMATION CONTAINED IN THIS DRAWING IS THE SOLE PROPERTY OF FORMS + SURFACES. ANY REPRODUCTION IN PART OR AS A WHOLE WITHOUT WRITTEN PERMISSION IS PROHIBITED.</small>		<table border="1"> <tr> <th>SIZE</th> <th>DWG. NO.</th> <th>REV</th> <th>SHEET</th> </tr> <tr> <td>B</td> <td>STDUO-B3092-CU-~---UMB-SFM</td> <td>0</td> <td>1 OF 1</td> </tr> </table>	SIZE	DWG. NO.	REV	SHEET	B	STDUO-B3092-CU-~---UMB-SFM	0	1 OF 1
SIZE	DWG. NO.	REV	SHEET							
B	STDUO-B3092-CU-~---UMB-SFM	0	1 OF 1							

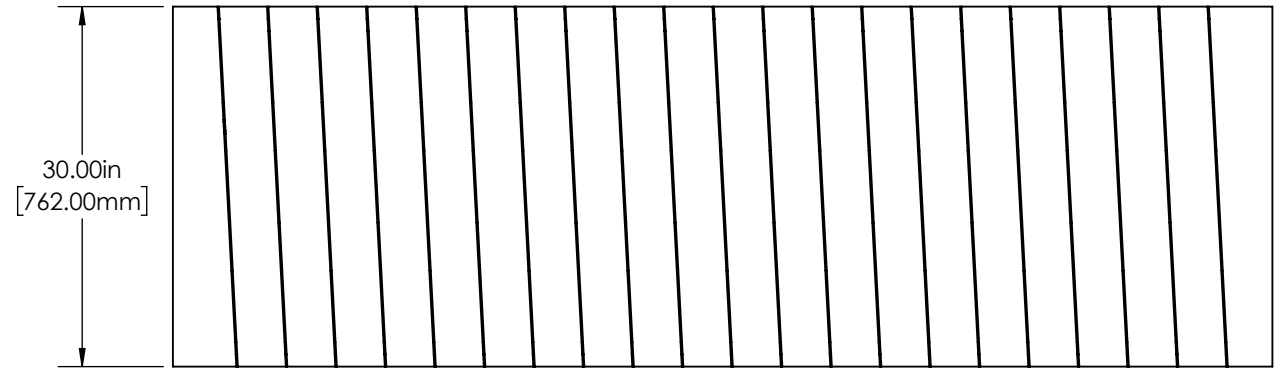
8 7 6 5 4 3 2 1

UPDATED ON: 01/19/2023

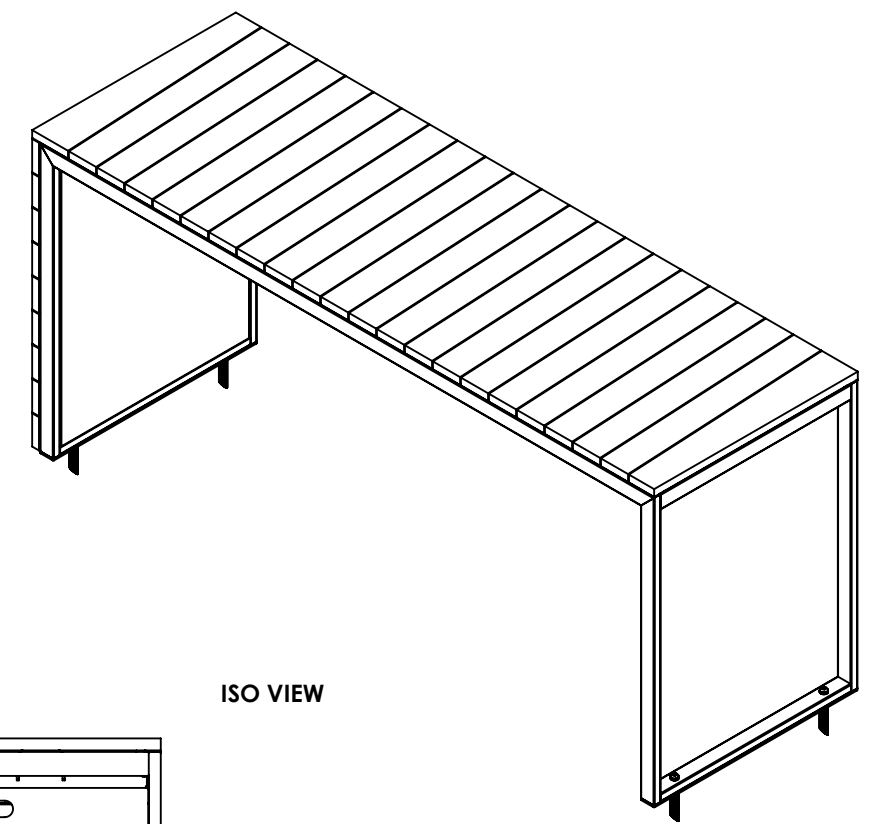
A



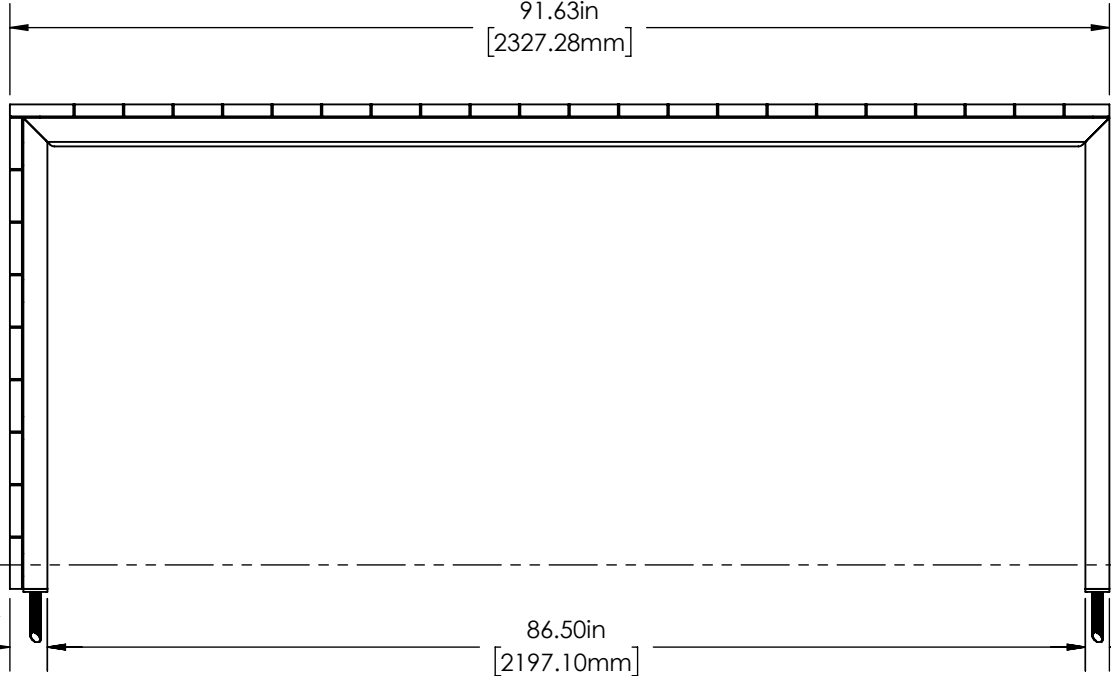
8 7 6 5 4 3 2 1



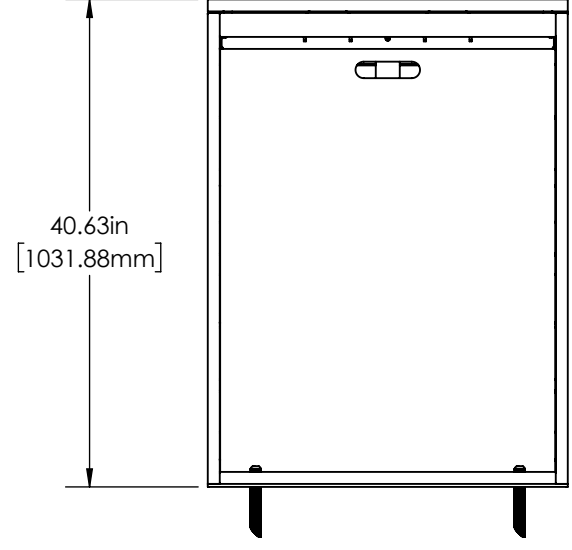
TOP VIEW



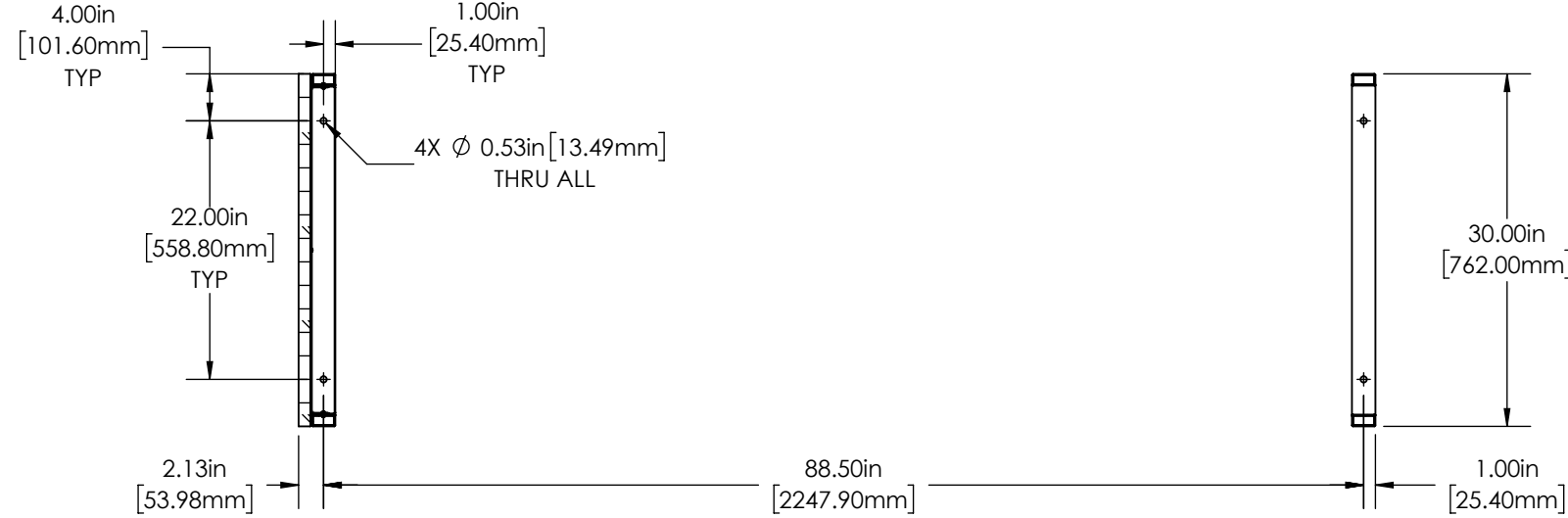
ISO VIEW



FRONT VIEW



SIDE VIEW



SECTION A-A

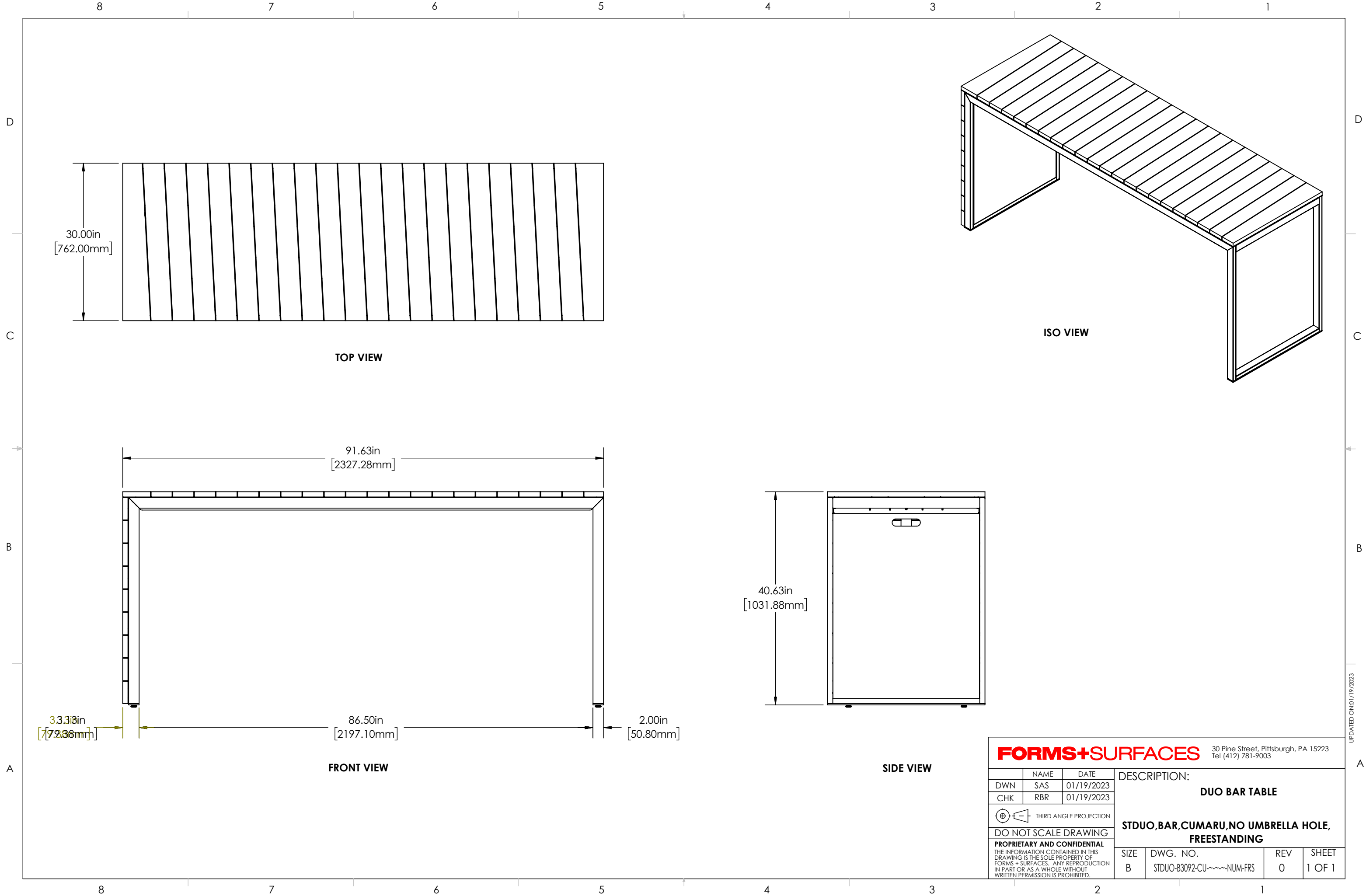
**NOTE:**  
MOUNTING DIMENSIONS ARE PROVIDED FOR REFERENCE ONLY.  
DO NOT INSTALL ANCHORS PRIOR TO RECEIVING PRODUCT ON SITE.

<b>FORMS+SURFACES</b>		30 Pine Street, Pittsburgh, PA 15223 Tel (412) 781-9003	
NAME	DATE	DESCRIPTION:	
DWN SAS	01/19/2023	<b>DUO BAR TABLE</b>	
CHK RBR	01/19/2023		
THIRD ANGLE PROJECTION		<b>STDUO, BAR, CUMARU, NO UMBRELLA HOLE, SURFACE MOUNT</b>	
DO NOT SCALE DRAWING			
PROPRIETARY AND CONFIDENTIAL THE INFORMATION CONTAINED IN THIS DRAWING IS THE SOLE PROPERTY OF FORMS + SURFACES. ANY REPRODUCTION IN PART OR AS A WHOLE WITHOUT WRITTEN PERMISSION IS PROHIBITED.			
SIZE	DWG. NO.	REV	SHEET
B	STDUO-B3092-CU-~---NUM-SFM	0	1 OF 1

8 7 6 5 4 3 2 1

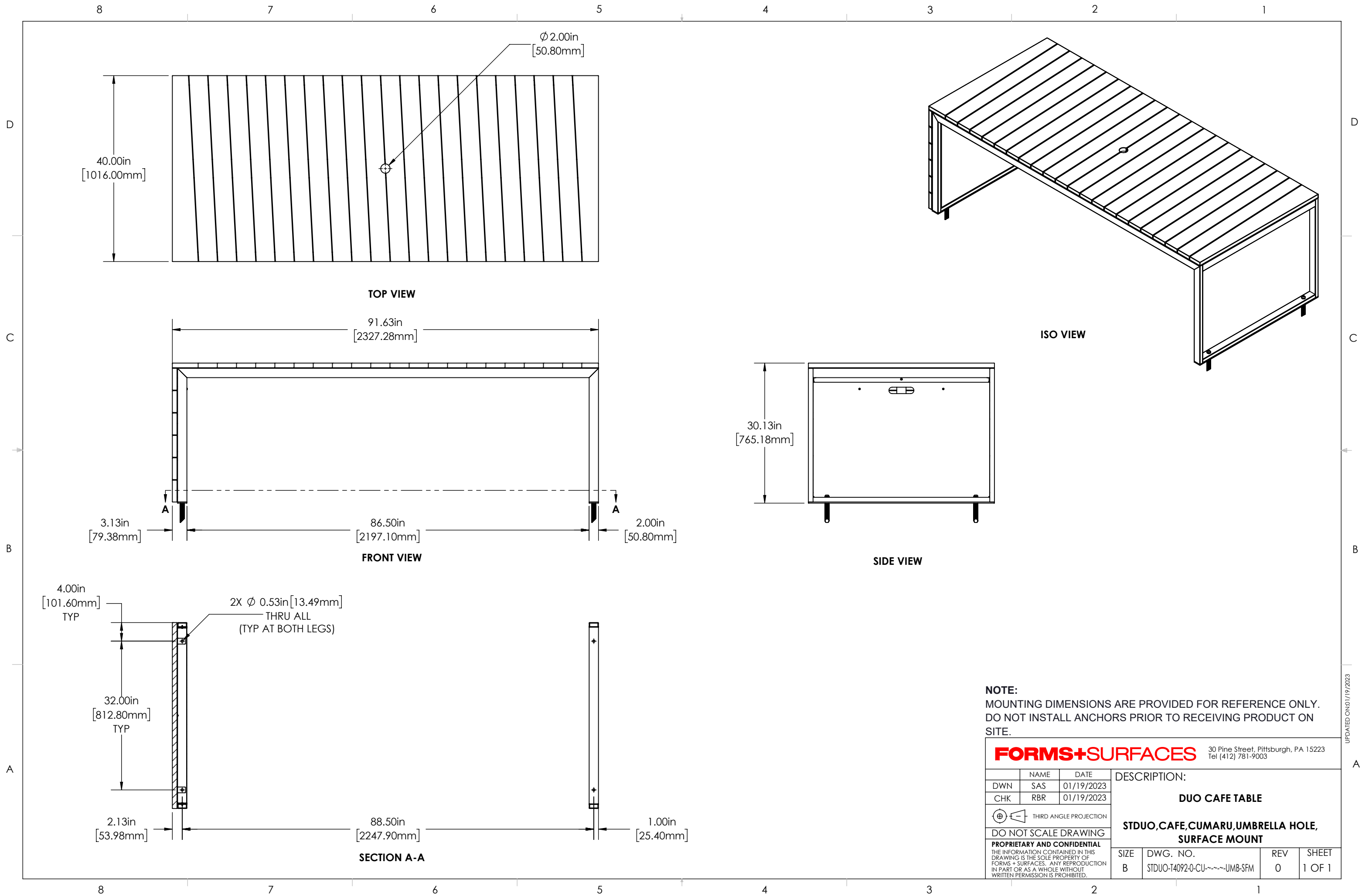
UPDATED ON: 01/19/2023

A

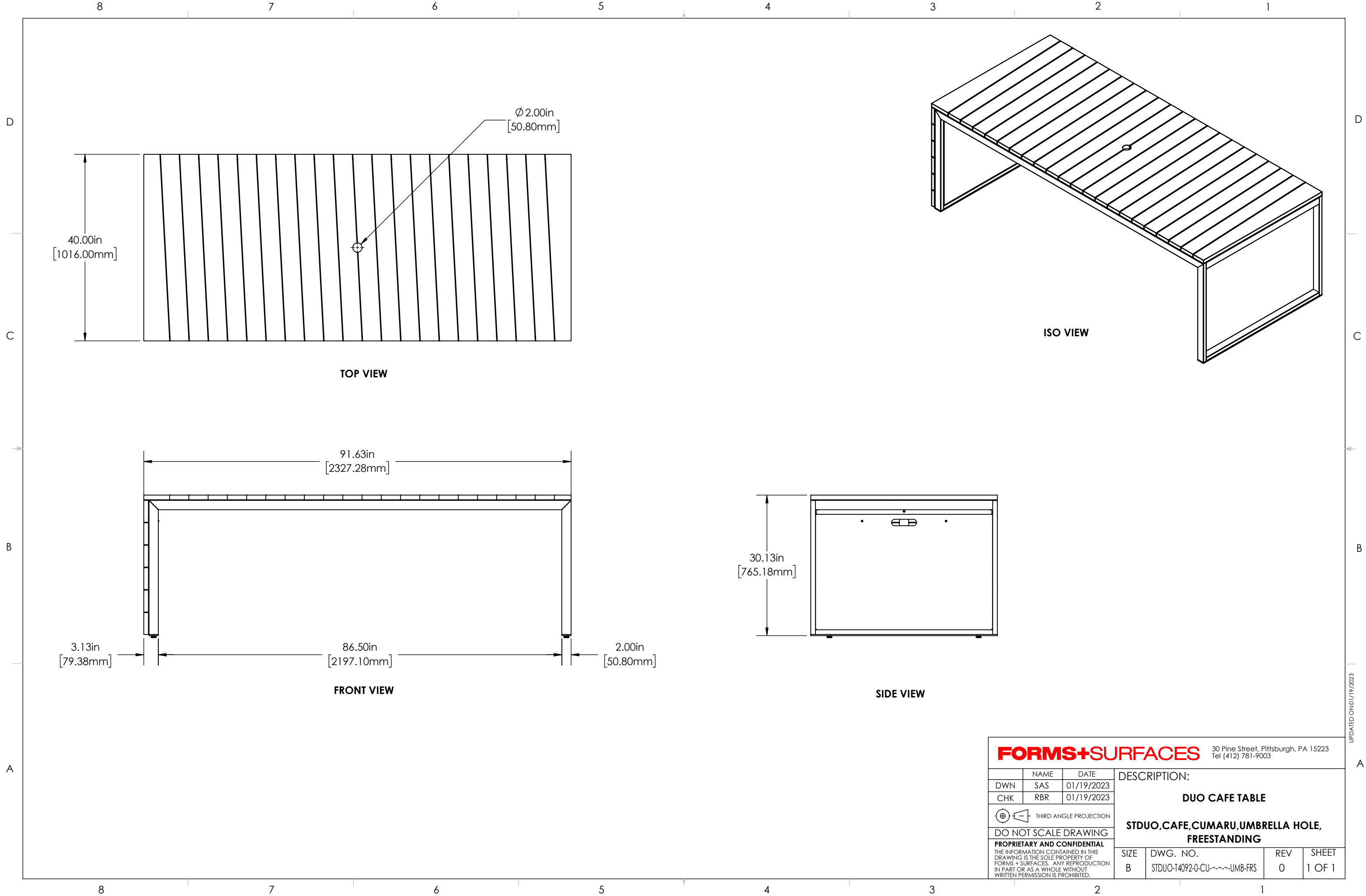


UPDATED ON: 01/19/2023

<b>FORMS+SURFACES</b>		30 Pine Street, Pittsburgh, PA 15223 Tel (412) 781-9003	
NAME	DATE	DESCRIPTION:	
DWN SAS	01/19/2023	<b>DUO BAR TABLE</b>	
CHK RBR	01/19/2023		
THIRD ANGLE PROJECTION		<b>STDUO, BAR, CUMARU, NO UMBRELLA HOLE, FREESTANDING</b>	
DO NOT SCALE DRAWING		SIZE	DWG. NO.
<small>PROPRIETARY AND CONFIDENTIAL</small> <small>THE INFORMATION CONTAINED IN THIS DRAWING IS THE SOLE PROPERTY OF FORMS + SURFACES. ANY REPRODUCTION IN PART OR AS A WHOLE WITHOUT WRITTEN PERMISSION IS PROHIBITED.</small>		B	STDUO-B3092-CU-~-~-NUM-FRS
REV	SHEET		
0	1 OF 1		

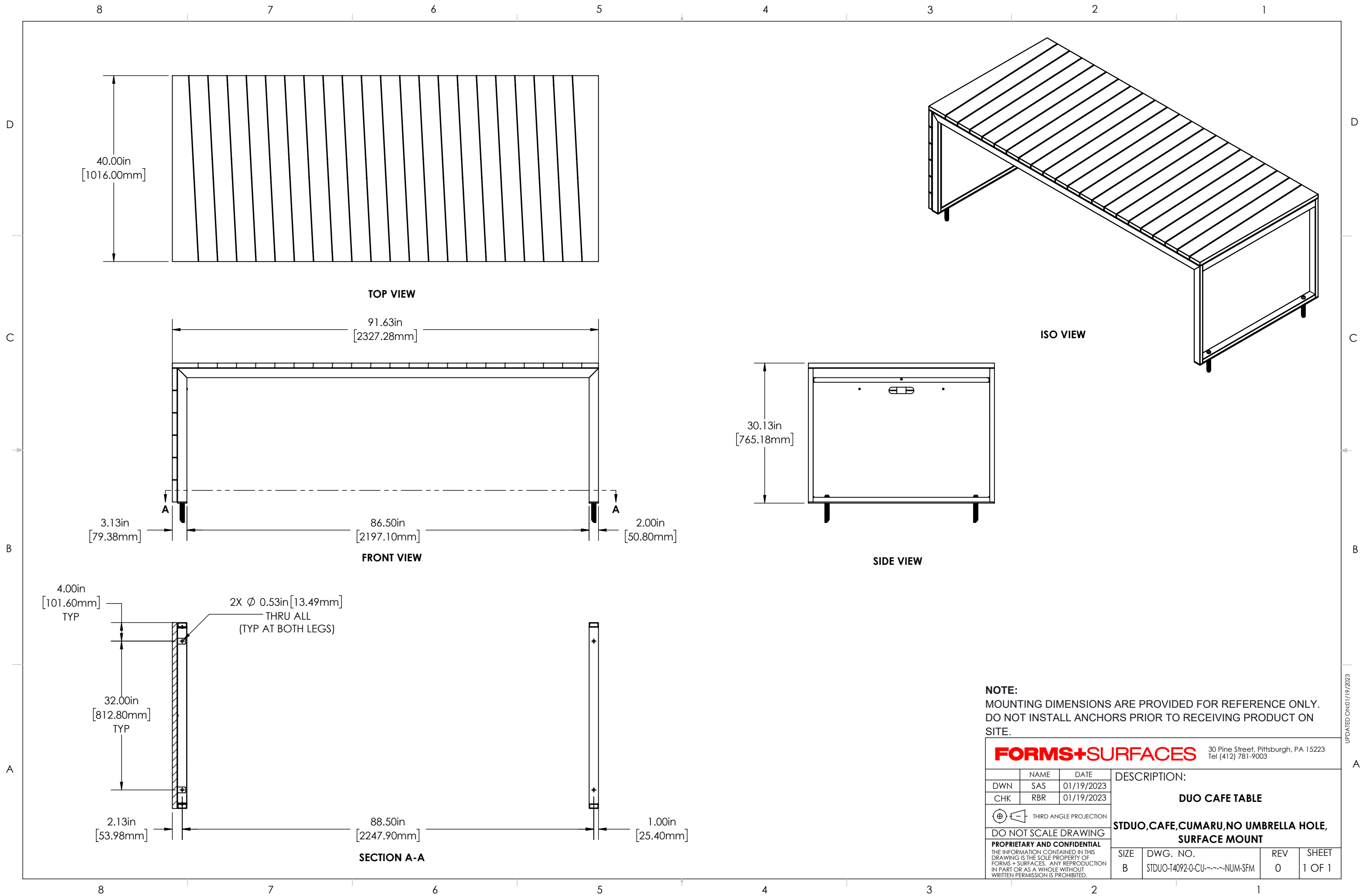


UPDATED ON: 01/19/2023



<b>FORMS+SURFACES</b>		30 Pine Street, Pittsburgh, PA 15223 Tel (412) 781-9003	
NAME	DATE	DESCRIPTION:	
DWN SAS	01/19/2023	<b>DUO CAFE TABLE</b>	
CHK RBR	01/19/2023		
THIRD ANGLE PROJECTION		<b>STDUO, CAFE, CUMARU, UMBRELLA HOLE, FREESTANDING</b>	
DO NOT SCALE DRAWING		SIZE	DWG. NO.
<small>PROPRIETARY AND CONFIDENTIAL</small> <small>THE INFORMATION CONTAINED IN THIS DRAWING IS THE SOLE PROPERTY OF FORMS + SURFACES. ANY REPRODUCTION IN PART OR AS A WHOLE WITHOUT WRITTEN PERMISSION IS PROHIBITED.</small>		B	STDUO-T4092-0-CU-~-~-UMB-FRS
REV	SHEET		
0	1 OF 1		

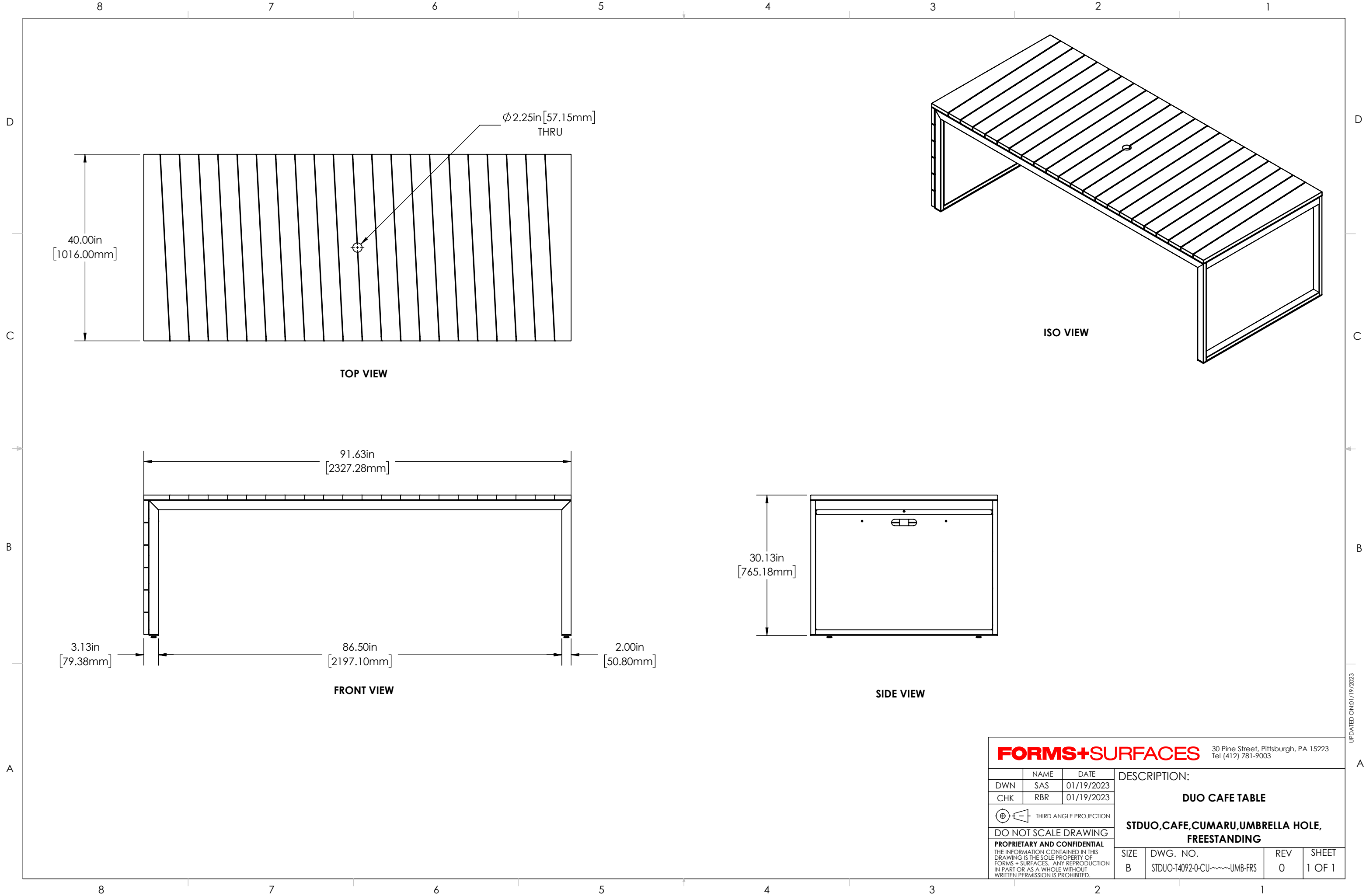
UPDATED ON: 01/19/2023



**NOTE:**  
 MOUNTING DIMENSIONS ARE PROVIDED FOR REFERENCE ONLY.  
 DO NOT INSTALL ANCHORS PRIOR TO RECEIVING PRODUCT ON SITE.

<b>FORMS+SURFACES</b>			30 Pine Street, Pittsburgh, PA 15223 Tel (412) 781-9003	
NAME	DATE	DESCRIPTION:		
DWN SAS	01/19/2023	<b>DUO CAFE TABLE</b>		
CHK RBR	01/19/2023			
THIRD ANGLE PROJECTION		<b>STDUO,CAFE,CUMARU,NO UMBRELLA HOLE, SURFACE MOUNT</b>		
DO NOT SCALE DRAWING				
PROPRIETARY AND CONFIDENTIAL <small>THE INFORMATION CONTAINED IN THIS DRAWING IS THE SOLE PROPERTY OF FORMS + SURFACES. ANY REPRODUCTION IN PART OR AS A WHOLE WITHOUT WRITTEN PERMISSION IS PROHIBITED.</small>				
SIZE	DWG. NO.	REV	SHEET	
B	STDUO-T4092-0-CU-~---NUM-SFM	0	1 OF 1	

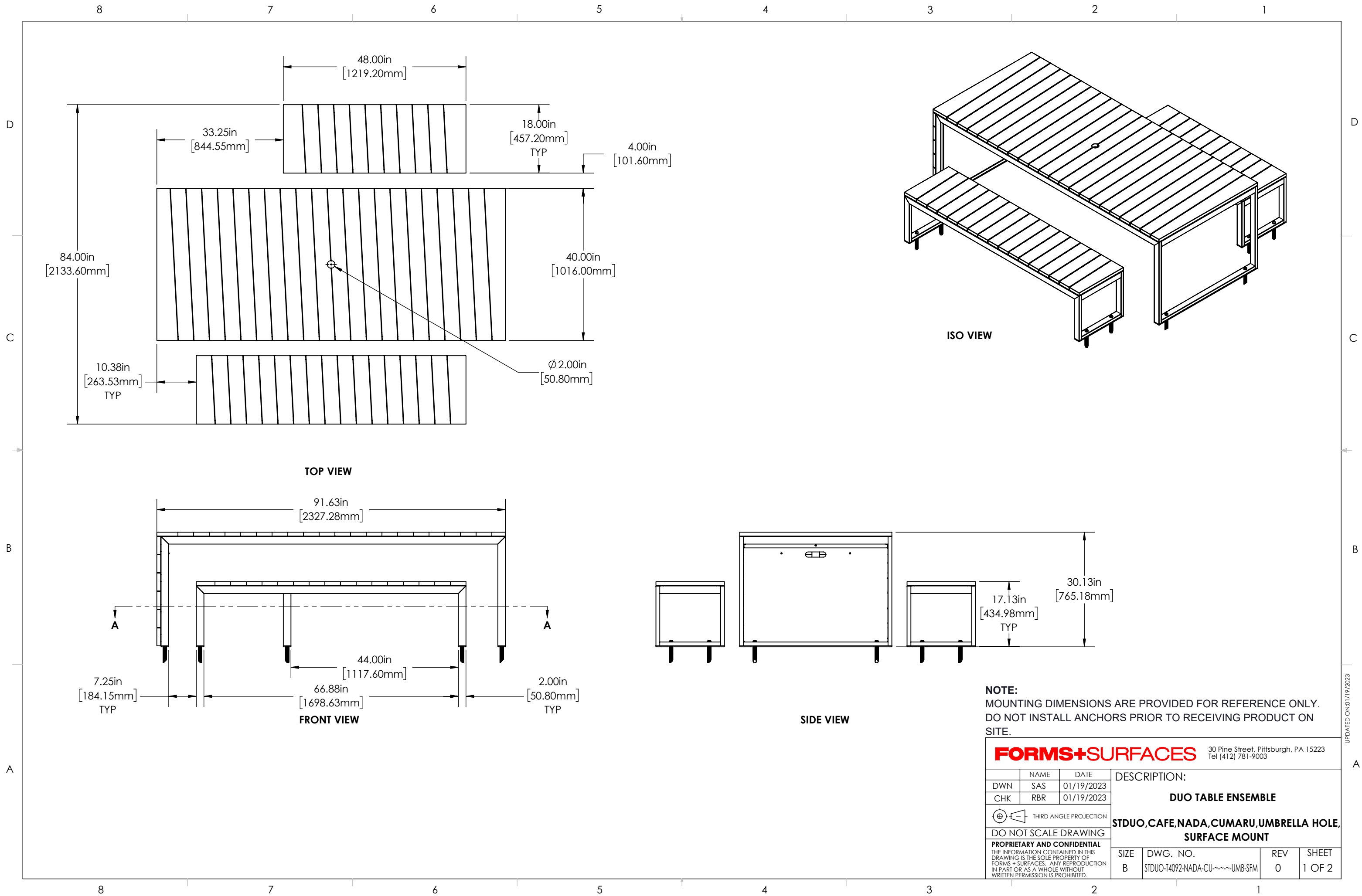
UPDATED ON: 01/19/2023



<b>FORMS+SURFACES</b>		30 Pine Street, Pittsburgh, PA 15223 Tel (412) 781-9003	
NAME	DATE	DESCRIPTION:	
DWN SAS	01/19/2023	<b>DUO CAFE TABLE</b>	
CHK RBR	01/19/2023		
THIRD ANGLE PROJECTION		<b>STDUO, CAFE, CUMARU, UMBRELLA HOLE, FREESTANDING</b>	
DO NOT SCALE DRAWING		SIZE	DWG. NO.
PROPRIETARY AND CONFIDENTIAL THE INFORMATION CONTAINED IN THIS DRAWING IS THE SOLE PROPERTY OF FORMS + SURFACES. ANY REPRODUCTION IN PART OR AS A WHOLE WITHOUT WRITTEN PERMISSION IS PROHIBITED.		B	STDUO-T4092-0-CU-~--~UMB-FRS
REV	SHEET		
0	1 OF 1		

UPDATED ON: 01/19/2023





**NOTE:**  
MOUNTING DIMENSIONS ARE PROVIDED FOR REFERENCE ONLY.  
DO NOT INSTALL ANCHORS PRIOR TO RECEIVING PRODUCT ON SITE.

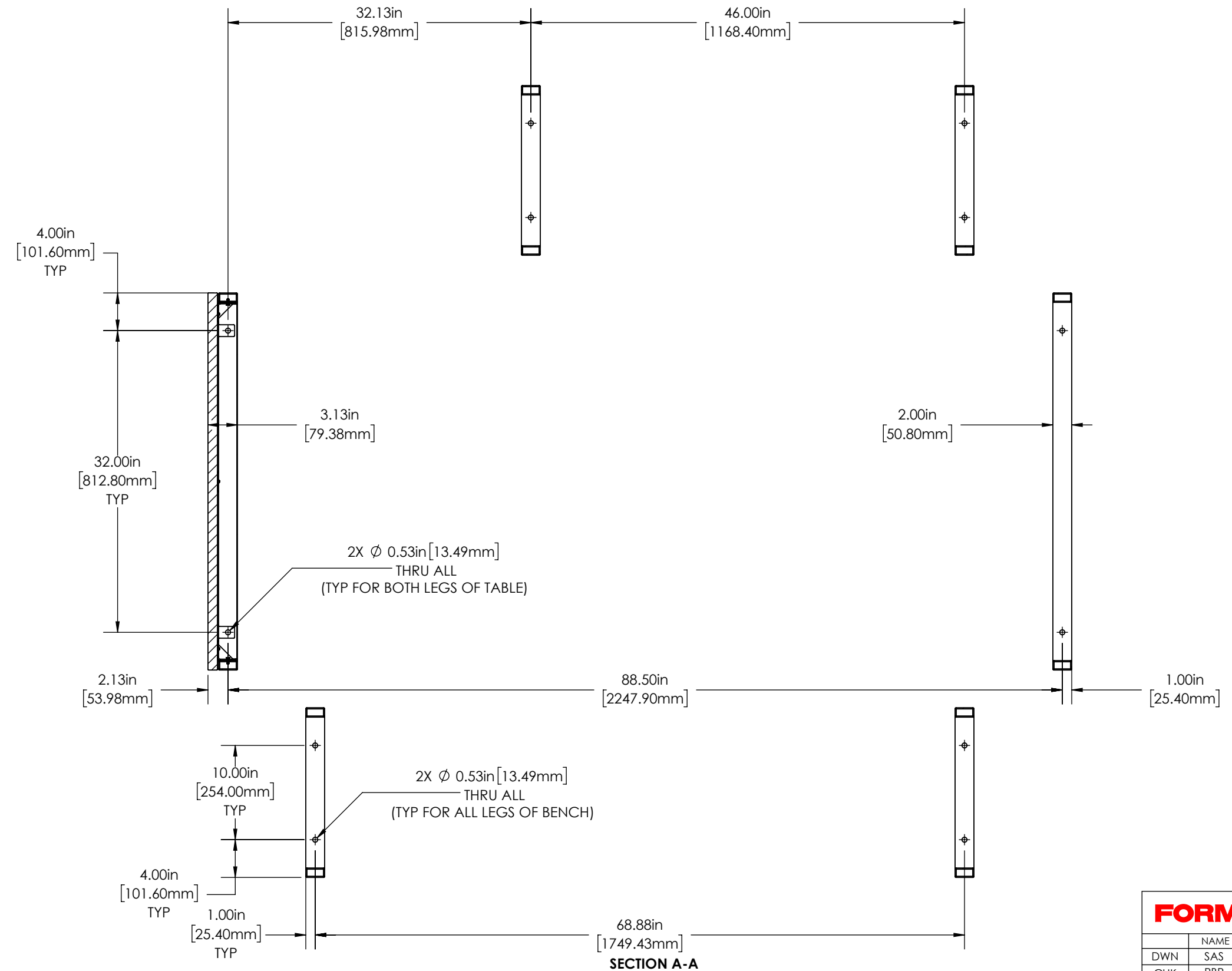
<b>FORMS+SURFACES</b>		30 Pine Street, Pittsburgh, PA 15223 Tel (412) 781-9003	
NAME	DATE	DESCRIPTION:	
DWN SAS	01/19/2023	<b>DUO TABLE ENSEMBLE</b>	
CHK RBR	01/19/2023		
THIRD ANGLE PROJECTION		<b>STDUO, CAFE, NADA, CUMARU, UMBRELLA HOLE, SURFACE MOUNT</b>	
DO NOT SCALE DRAWING			
PROPRIETARY AND CONFIDENTIAL THE INFORMATION CONTAINED IN THIS DRAWING IS THE SOLE PROPERTY OF FORMS + SURFACES. ANY REPRODUCTION IN PART OR AS A WHOLE WITHOUT WRITTEN PERMISSION IS PROHIBITED.			
SIZE	DWG. NO.	REV	SHEET
B	STDUO-T4092-NADA-CU-~--~--UMB-SFM	0	1 OF 2

UPDATED ON: 01/19/2023

8 7 6 5 4 3 2 1

D  
C  
B  
A

D  
C  
B  
A



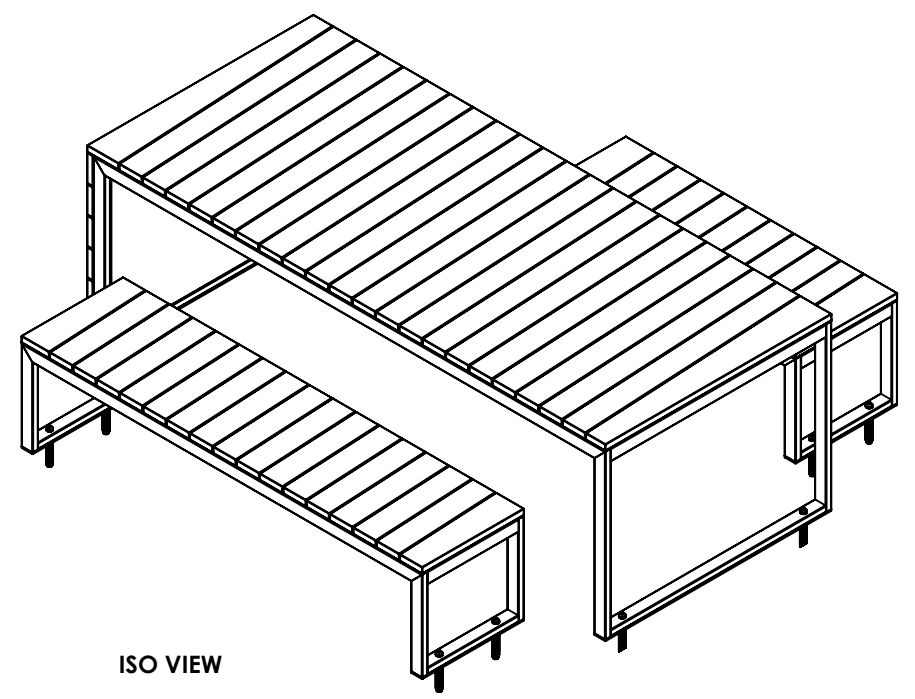
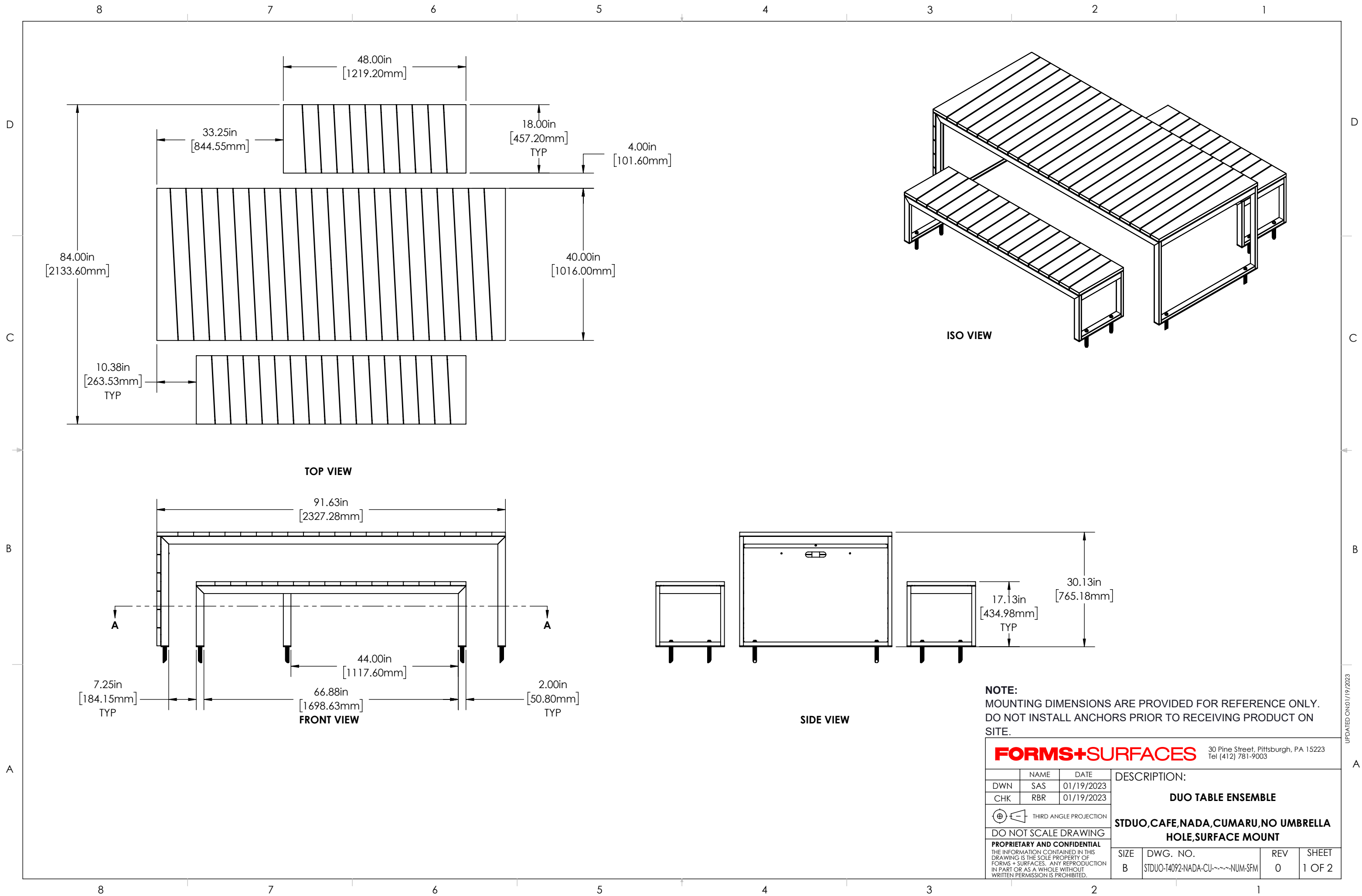
**SECTION A-A**

**FORMS+SURFACES** 30 Pine Street, Pittsburgh, PA 15223  
Tel (412) 781-9003

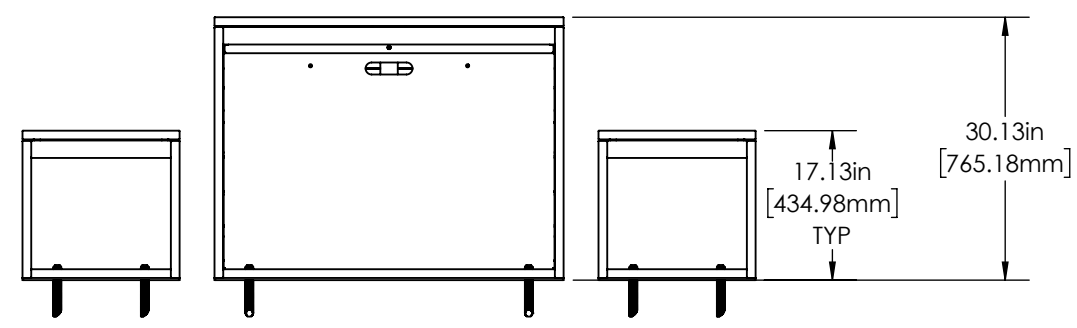
NAME	DATE	DESCRIPTION:	
DWN SAS	01/19/2023	<b>DUO TABLE ENSEMBLE</b>	
CHK RBR	01/19/2023		
THIRD ANGLE PROJECTION		<b>STDUO, CAFE, NADA, CUMARU, UMBRELLA HOLE, SURFACE MOUNT</b>	
DO NOT SCALE DRAWING		SIZE	DWG. NO.
PROPRIETARY AND CONFIDENTIAL THE INFORMATION CONTAINED IN THIS DRAWING IS THE SOLE PROPERTY OF FORMS + SURFACES. ANY REPRODUCTION IN PART OR AS A WHOLE WITHOUT WRITTEN PERMISSION IS PROHIBITED.		B	STDUO-T4092-NADA-CU-~--U-MB-SFM
REV	SHEET		
0	2 OF 2		

UPDATED ON: 01/19/2023

8 7 6 5 4 3 2 1



ISO VIEW



SIDE VIEW

**NOTE:**  
MOUNTING DIMENSIONS ARE PROVIDED FOR REFERENCE ONLY.  
DO NOT INSTALL ANCHORS PRIOR TO RECEIVING PRODUCT ON SITE.

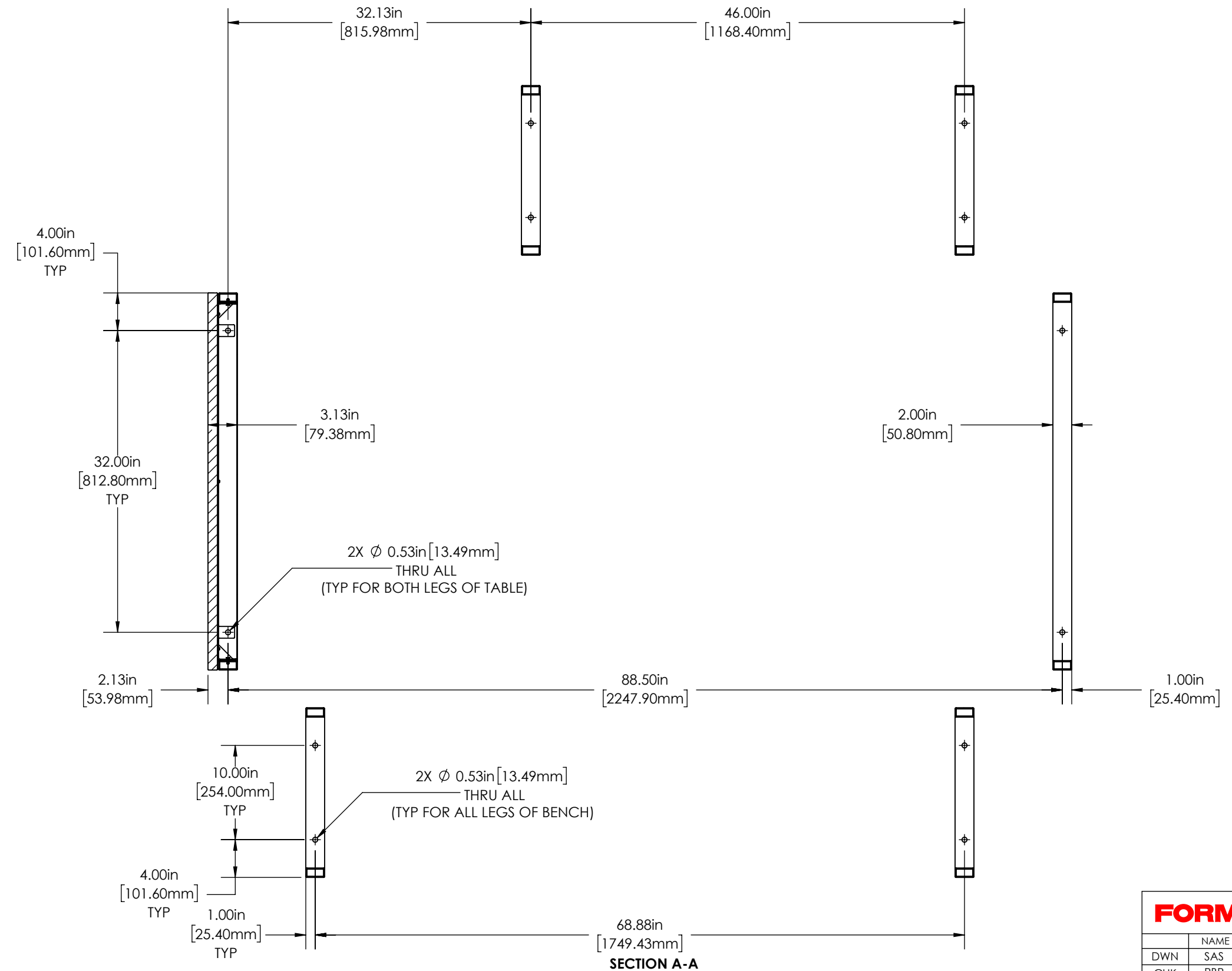
<b>FORMS+SURFACES</b>		30 Pine Street, Pittsburgh, PA 15223 Tel (412) 781-9003	
NAME	DATE	DESCRIPTION:	
DWN SAS	01/19/2023	<b>DUO TABLE ENSEMBLE</b>	
CHK RBR	01/19/2023		
THIRD ANGLE PROJECTION		<b>STDUO, CAFE, NADA, CUMARU, NO UMBRELLA HOLE, SURFACE MOUNT</b>	
DO NOT SCALE DRAWING		SIZE	DWG. NO.
PROPRIETARY AND CONFIDENTIAL THE INFORMATION CONTAINED IN THIS DRAWING IS THE SOLE PROPERTY OF FORMS + SURFACES. ANY REPRODUCTION IN PART OR AS A WHOLE WITHOUT WRITTEN PERMISSION IS PROHIBITED.		B	STDUO-T4092-NADA-CU-~---NUM-SFM
REV	SHEET		
0	1 OF 2		

UPDATED ON: 01/19/2023

8 7 6 5 4 3 2 1

D  
C  
B  
A

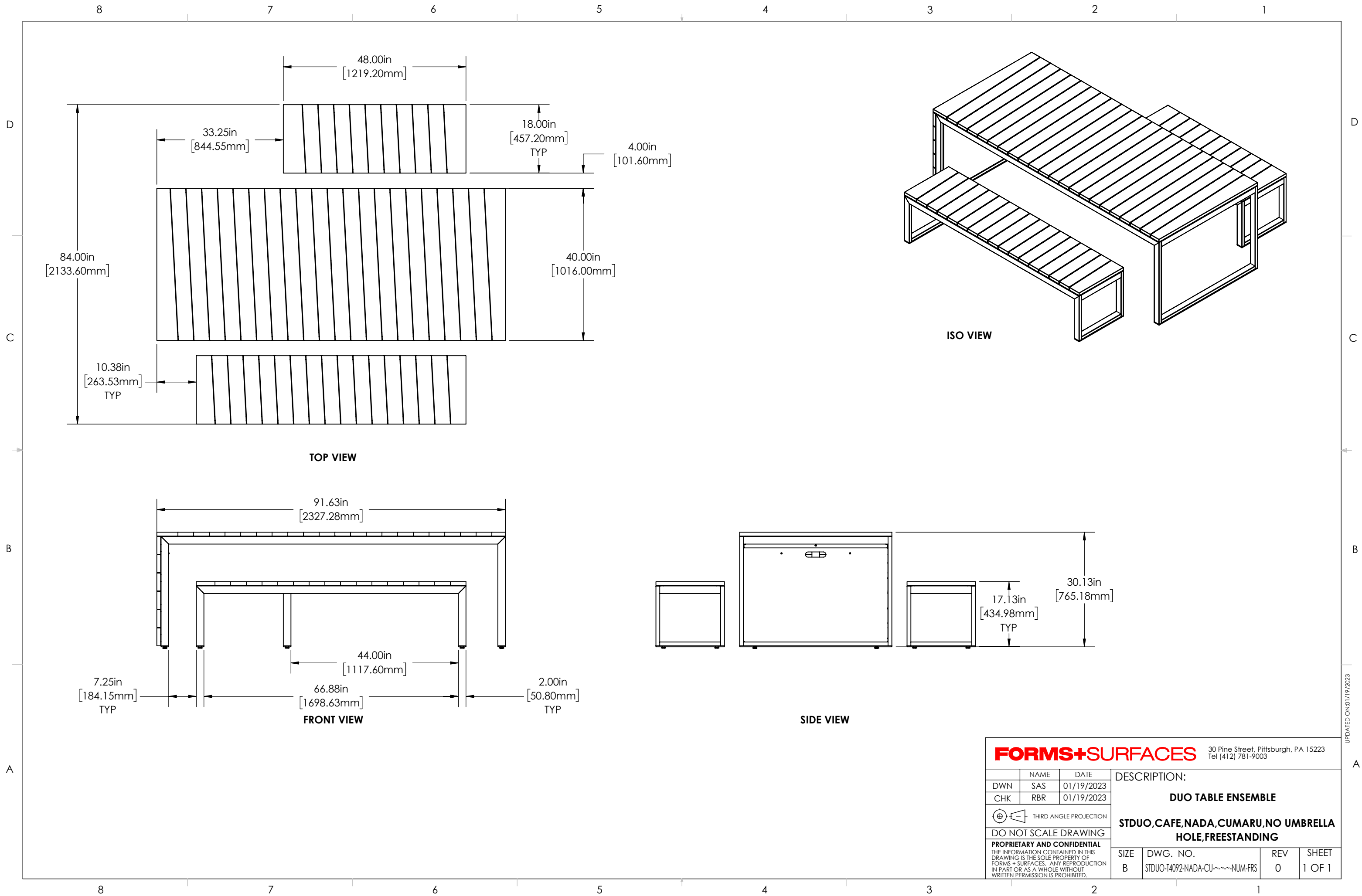
D  
C  
B  
A



UPDATED ON: 01/19/2023

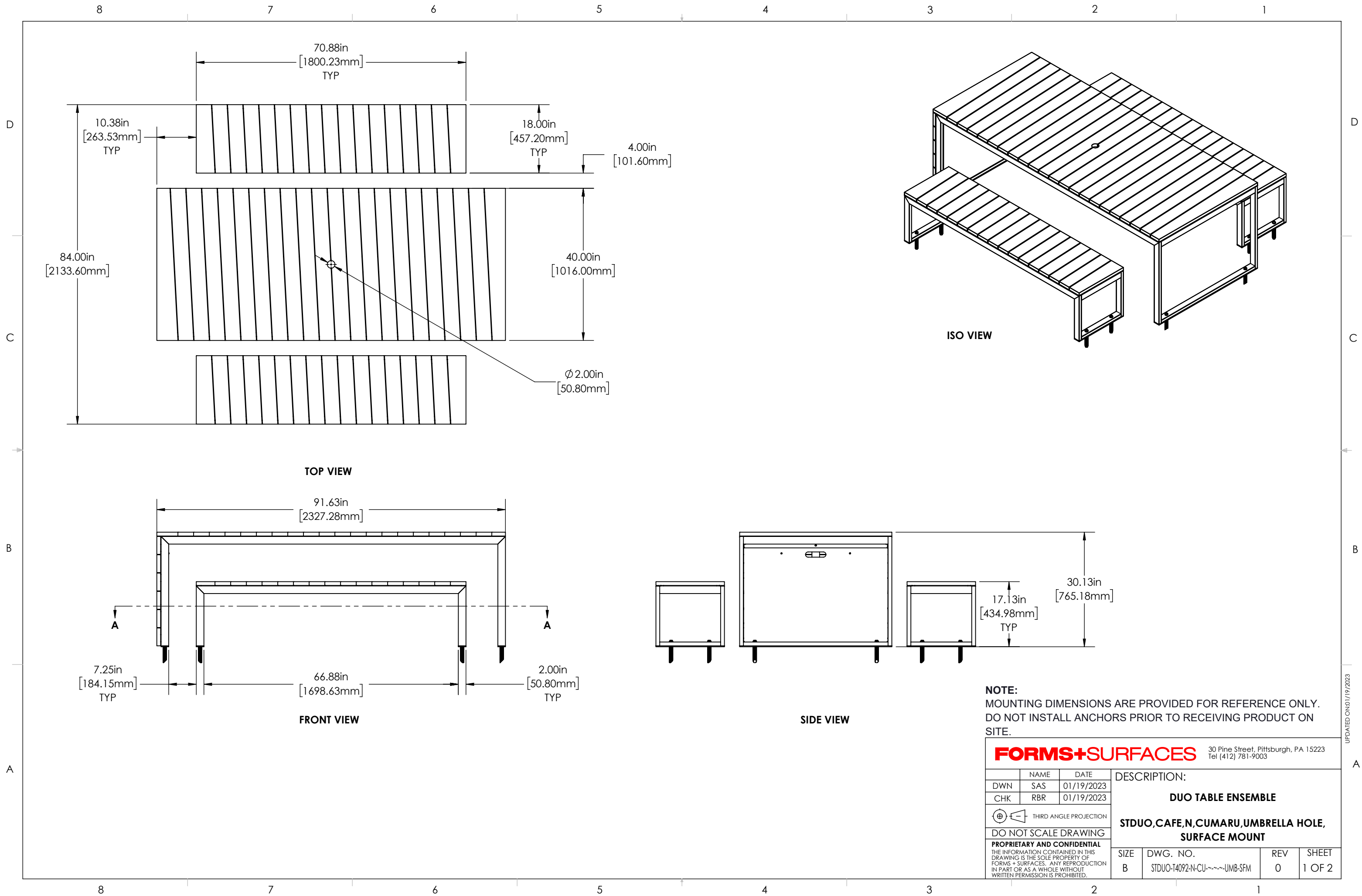
<b>FORMS+SURFACES</b>		30 Pine Street, Pittsburgh, PA 15223 Tel (412) 781-9003	
NAME	DATE	DESCRIPTION:	
DWN SAS	01/19/2023	<b>DUO TABLE ENSEMBLE</b>	
CHK RBR	01/19/2023		
THIRD ANGLE PROJECTION		<b>STDUO, CAFE, NADA, CUMARU, NO UMBRELLA HOLE, SURFACE MOUNT</b>	
DO NOT SCALE DRAWING		SIZE	DWG. NO.
PROPRIETARY AND CONFIDENTIAL THE INFORMATION CONTAINED IN THIS DRAWING IS THE SOLE PROPERTY OF FORMS + SURFACES. ANY REPRODUCTION IN PART OR AS A WHOLE WITHOUT WRITTEN PERMISSION IS PROHIBITED.		B	STDUO-T4092-NADA-CU-~--NUM-SFM
REV	SHEET		
0	2 OF 2		

8 7 6 5 4 3 2 1



<b>FORMS+SURFACES</b>		30 Pine Street, Pittsburgh, PA 15223 Tel (412) 781-9003	
NAME	DATE	DESCRIPTION:	
DWN SAS	01/19/2023	<b>DUO TABLE ENSEMBLE</b>	
CHK RBR	01/19/2023		
THIRD ANGLE PROJECTION		<b>STDUO, CAFE, NADA, CUMARU, NO UMBRELLA HOLE, FREESTANDING</b>	
DO NOT SCALE DRAWING		SIZE	DWG. NO.
PROPRIETARY AND CONFIDENTIAL THE INFORMATION CONTAINED IN THIS DRAWING IS THE SOLE PROPERTY OF FORMS + SURFACES. ANY REPRODUCTION IN PART OR AS A WHOLE WITHOUT WRITTEN PERMISSION IS PROHIBITED.		B	STDUO-T4092-NADA-CU-~--NUM-FRS
REV	SHEET		
0	1 OF 1		

UPDATED ON: 01/19/2023



**NOTE:**  
MOUNTING DIMENSIONS ARE PROVIDED FOR REFERENCE ONLY.  
DO NOT INSTALL ANCHORS PRIOR TO RECEIVING PRODUCT ON SITE.

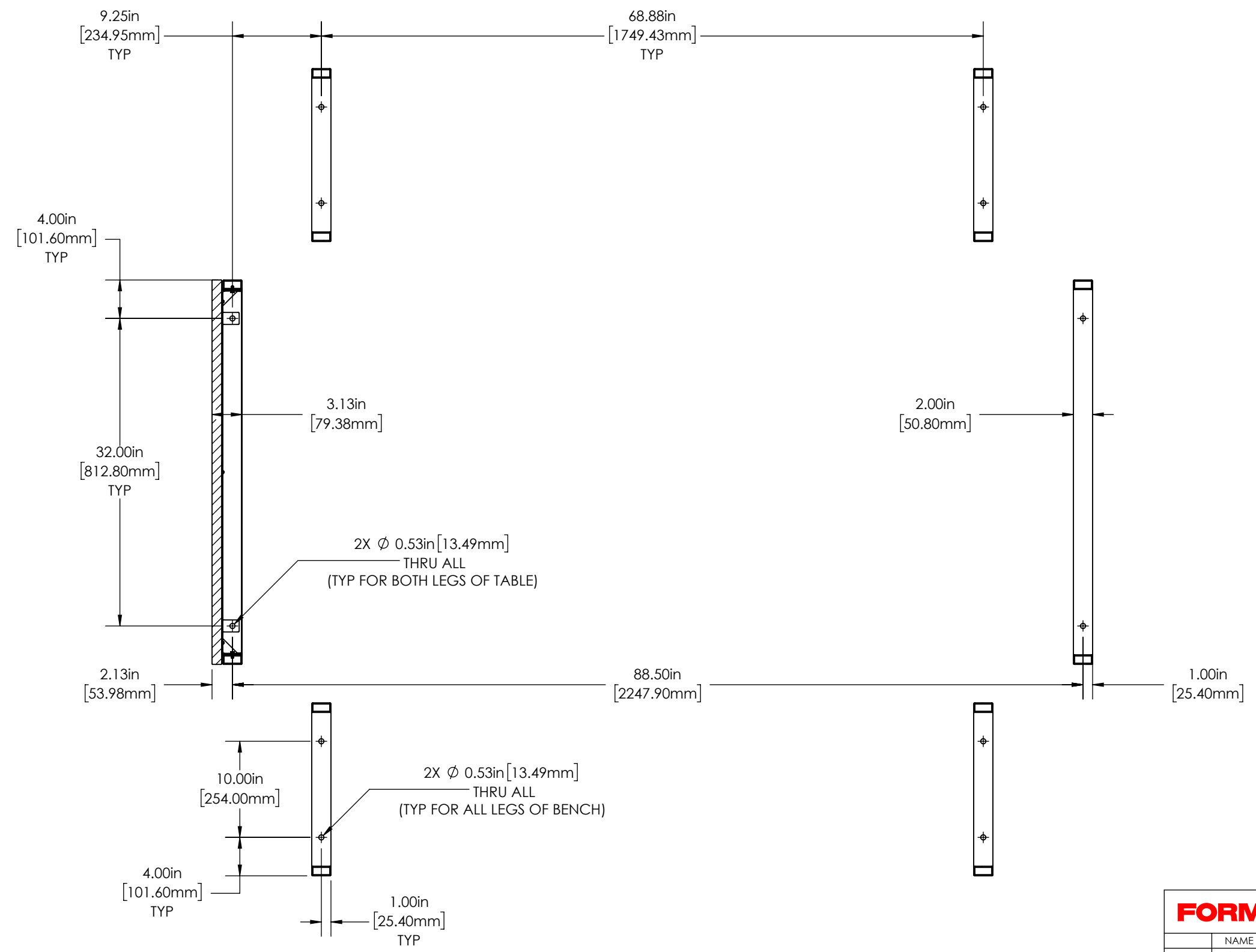
<b>FORMS+SURFACES</b>		30 Pine Street, Pittsburgh, PA 15223 Tel (412) 781-9003	
NAME	DATE	DESCRIPTION:	
DWN SAS	01/19/2023	<b>DUO TABLE ENSEMBLE</b>	
CHK RBR	01/19/2023		
THIRD ANGLE PROJECTION		<b>STDUO, CAFE, N, CUMARU, UMBRELLA HOLE, SURFACE MOUNT</b>	
DO NOT SCALE DRAWING			
PROPRIETARY AND CONFIDENTIAL THE INFORMATION CONTAINED IN THIS DRAWING IS THE SOLE PROPERTY OF FORMS + SURFACES. ANY REPRODUCTION IN PART OR AS A WHOLE WITHOUT WRITTEN PERMISSION IS PROHIBITED.			
SIZE	DWG. NO.	REV	SHEET
B	STDUO-T4092-N-CU-~---UMB-SFM	0	1 OF 2

UPDATED ON: 01/19/2023

8 7 6 5 4 3 2 1

D  
C  
B  
A

D  
C  
B  
A



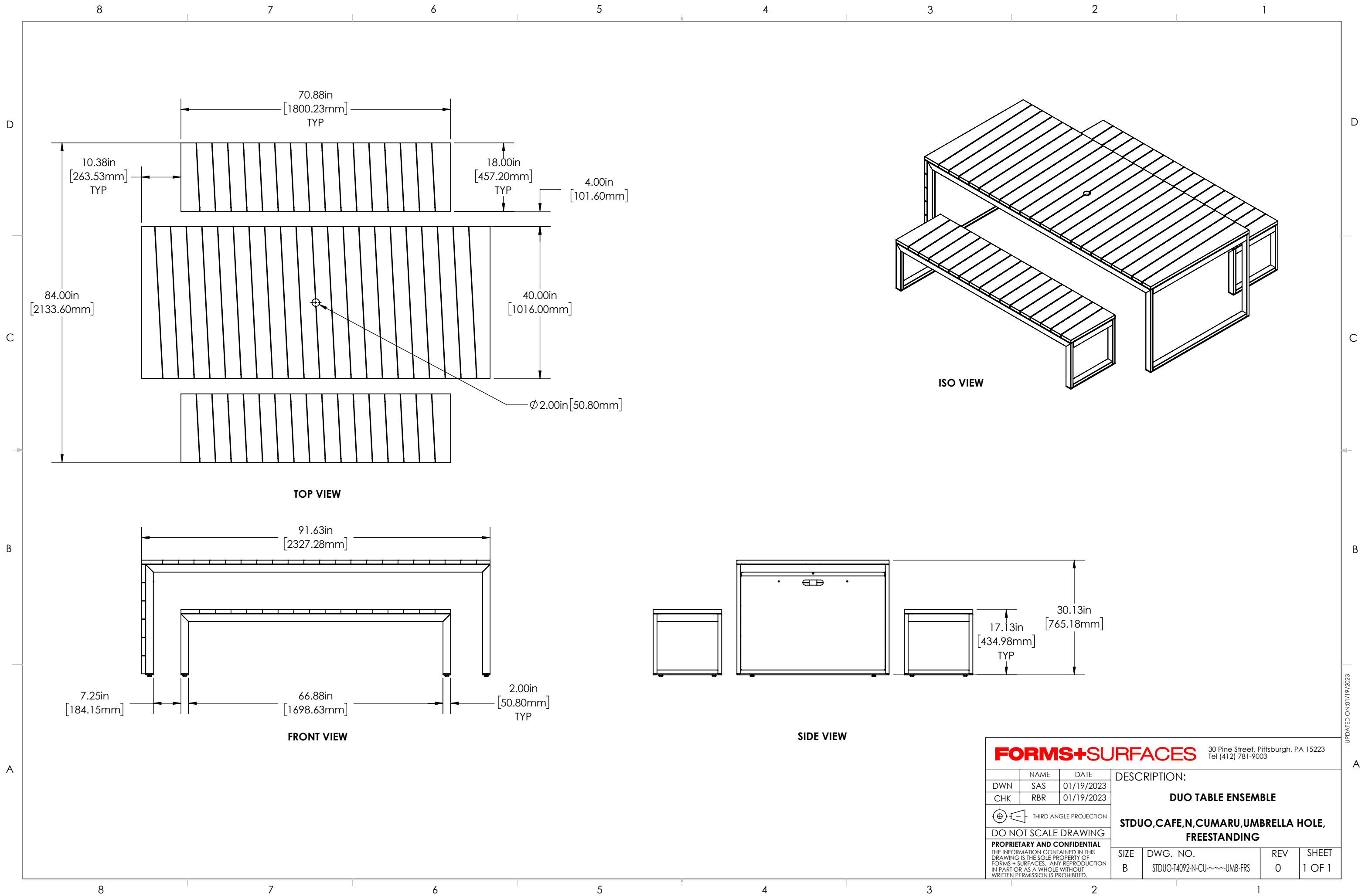
SECTION A-A

**FORMS+SURFACES** 30 Pine Street, Pittsburgh, PA 15223  
Tel (412) 781-9003

NAME	DATE	DESCRIPTION:	
DWN SAS	01/19/2023	DUO TABLE ENSEMBLE	
CHK RBR	01/19/2023		
THIRD ANGLE PROJECTION		STDUO, CAFE, N, CUMARU, UMBRELLA HOLE, SURFACE MOUNT	
DO NOT SCALE DRAWING		SIZE	DWG. NO.
PROPRIETARY AND CONFIDENTIAL THE INFORMATION CONTAINED IN THIS DRAWING IS THE SOLE PROPERTY OF FORMS + SURFACES. ANY REPRODUCTION IN PART OR AS A WHOLE WITHOUT WRITTEN PERMISSION IS PROHIBITED.		B	STDUO-T4092-N-CU-UMB-SFM
REV	SHEET		
0	2 OF 2		

8 7 6 5 4 3 2 1

UPDATED ON: 01/19/2023



TOP VIEW

FRONT VIEW

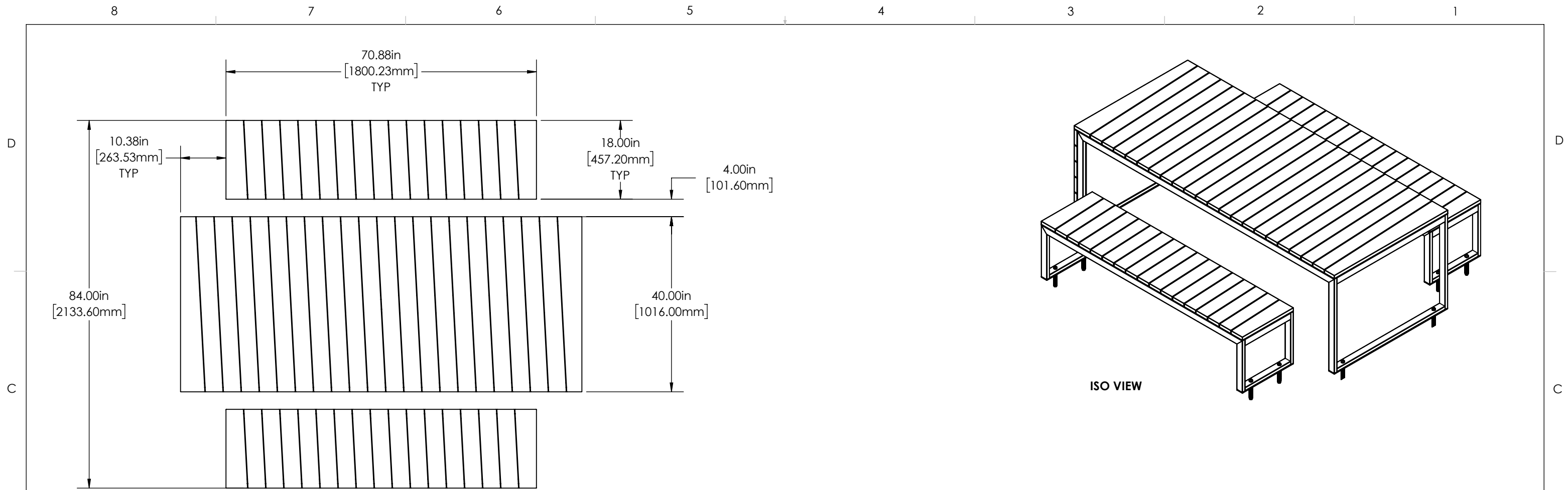
SIDE VIEW

ISO VIEW

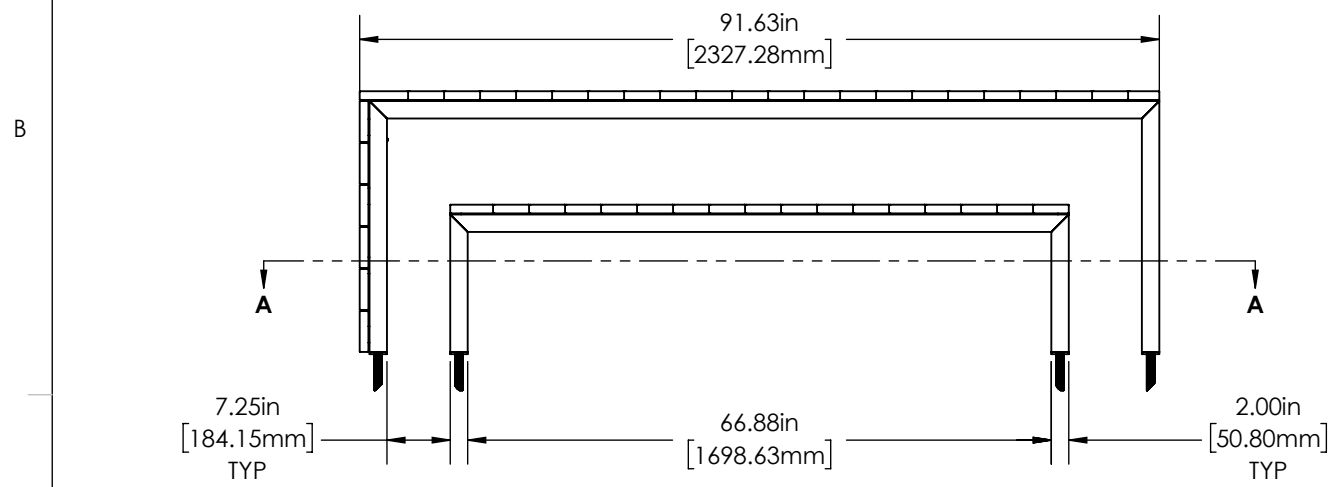
<b>FORMS+SURFACES</b>		30 Pine Street, Pittsburgh, PA 15223 Tel (412) 781-9003	
NAME	DATE	DESCRIPTION:	
DWN SAS	01/19/2023	<b>DUO TABLE ENSEMBLE</b>	
CHK RBR	01/19/2023		
THIRD ANGLE PROJECTION		<b>STDUO, CAFE, N, CUMARU, UMBRELLA HOLE, FREESTANDING</b>	
DO NOT SCALE DRAWING		SIZE	DWG. NO.
PROPRIETARY AND CONFIDENTIAL THE INFORMATION CONTAINED IN THIS DRAWING IS THE SOLE PROPERTY OF FORMS + SURFACES. ANY REPRODUCTION IN PART OR AS A WHOLE WITHOUT WRITTEN PERMISSION IS PROHIBITED.		B	STDUO-T4092-N-CU-~---UMB-FRS
REV	SHEET		
0	1 OF 1		

UPDATED ON: 01/19/2023

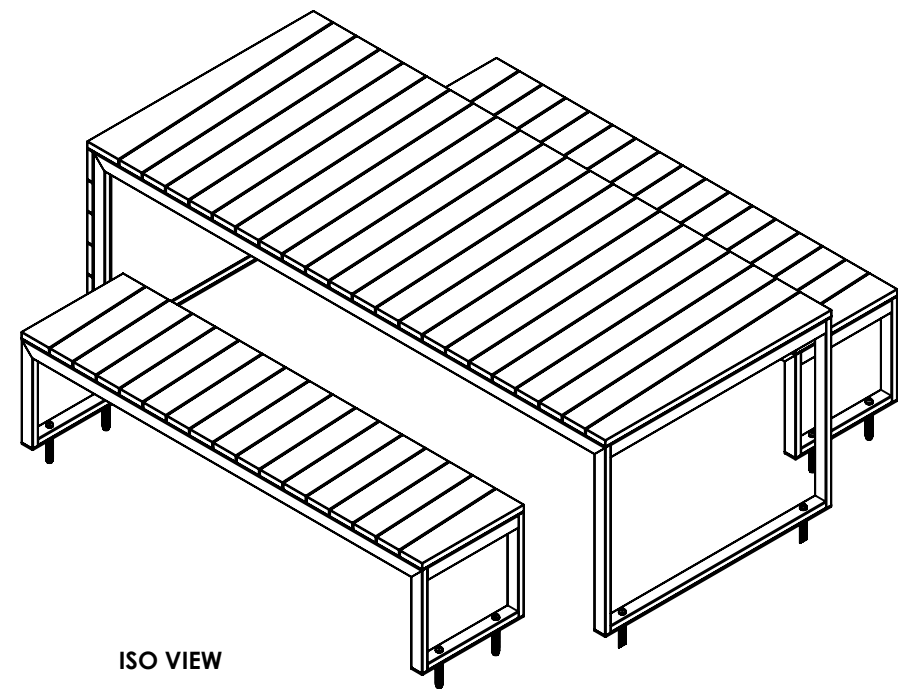




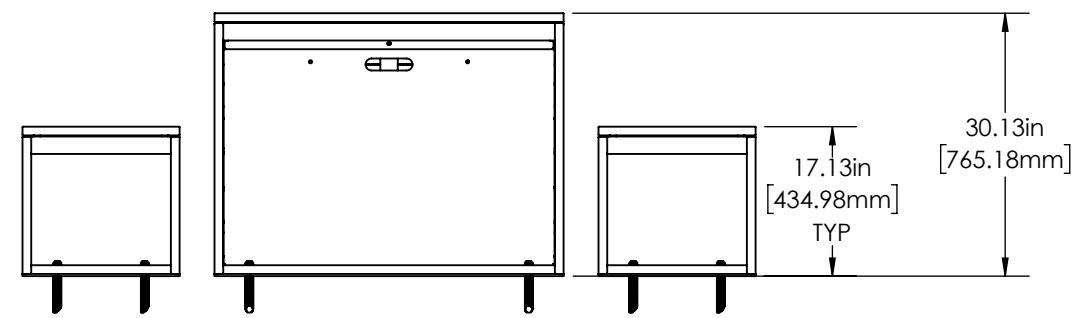
TOP VIEW



FRONT VIEW



ISO VIEW



SIDE VIEW

**NOTE:**  
MOUNTING DIMENSIONS ARE PROVIDED FOR REFERENCE ONLY.  
DO NOT INSTALL ANCHORS PRIOR TO RECEIVING PRODUCT ON SITE.

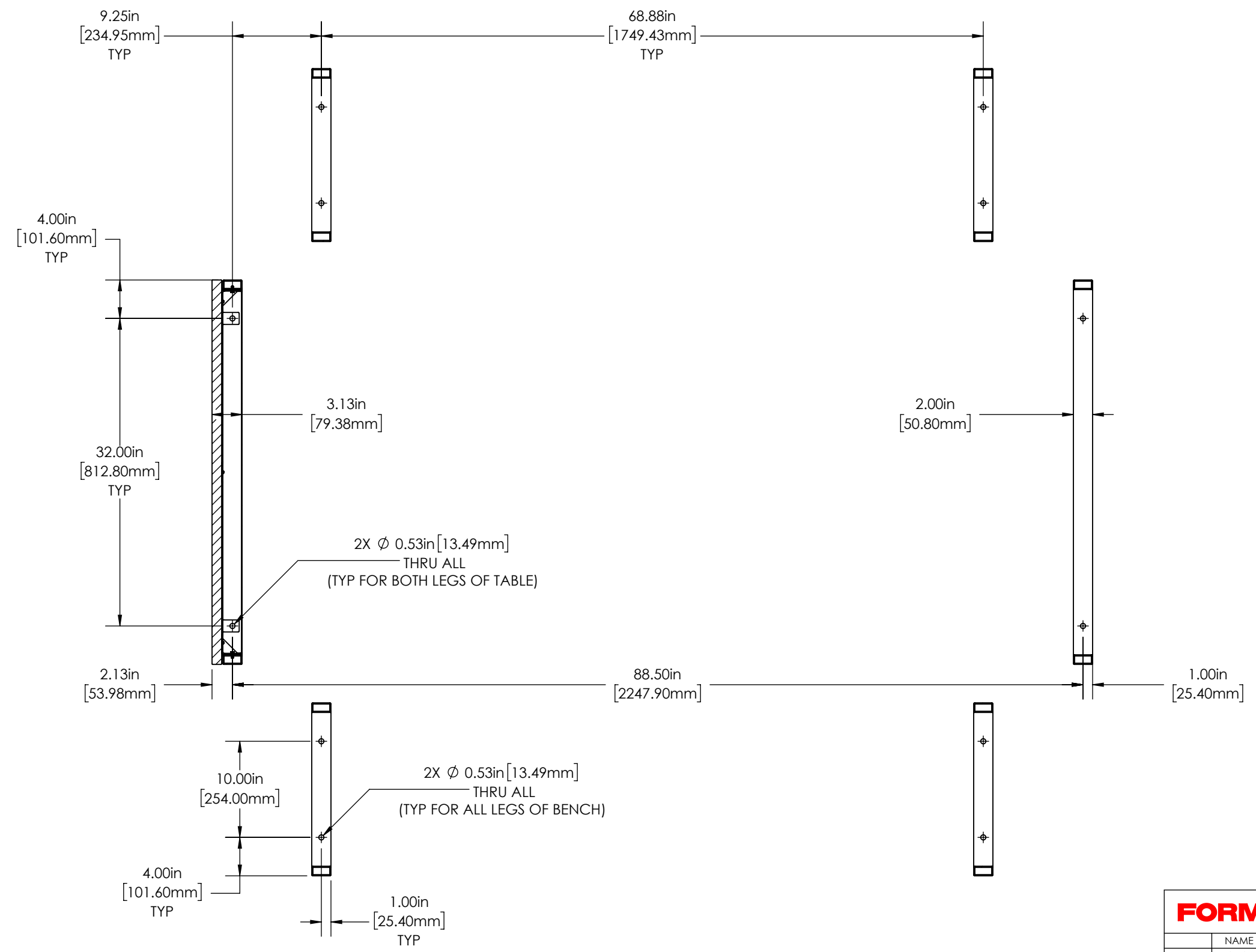
<b>FORMS+SURFACES</b>		30 Pine Street, Pittsburgh, PA 15223 Tel (412) 781-9003	
NAME	DATE	DESCRIPTION:	
DWN SAS	01/19/2023	<b>DUO TABLE ENSEMBLE</b>	
CHK RBR	01/19/2023		
THIRD ANGLE PROJECTION		<b>STDUO, CAFE, N, CUMARU, NO UMBRELLA HOLE, SURFACE MOUNT</b>	
DO NOT SCALE DRAWING			
PROPRIETARY AND CONFIDENTIAL THE INFORMATION CONTAINED IN THIS DRAWING IS THE SOLE PROPERTY OF FORMS + SURFACES. ANY REPRODUCTION IN PART OR AS A WHOLE WITHOUT WRITTEN PERMISSION IS PROHIBITED.			
SIZE	DWG. NO.	REV	SHEET
B	STDUO-T4092-N-CU-~---NUM-SFM	0	1 OF 2

UPDATED ON: 01/19/2023

8 7 6 5 4 3 2 1

D  
C  
B  
A

D  
C  
B  
A

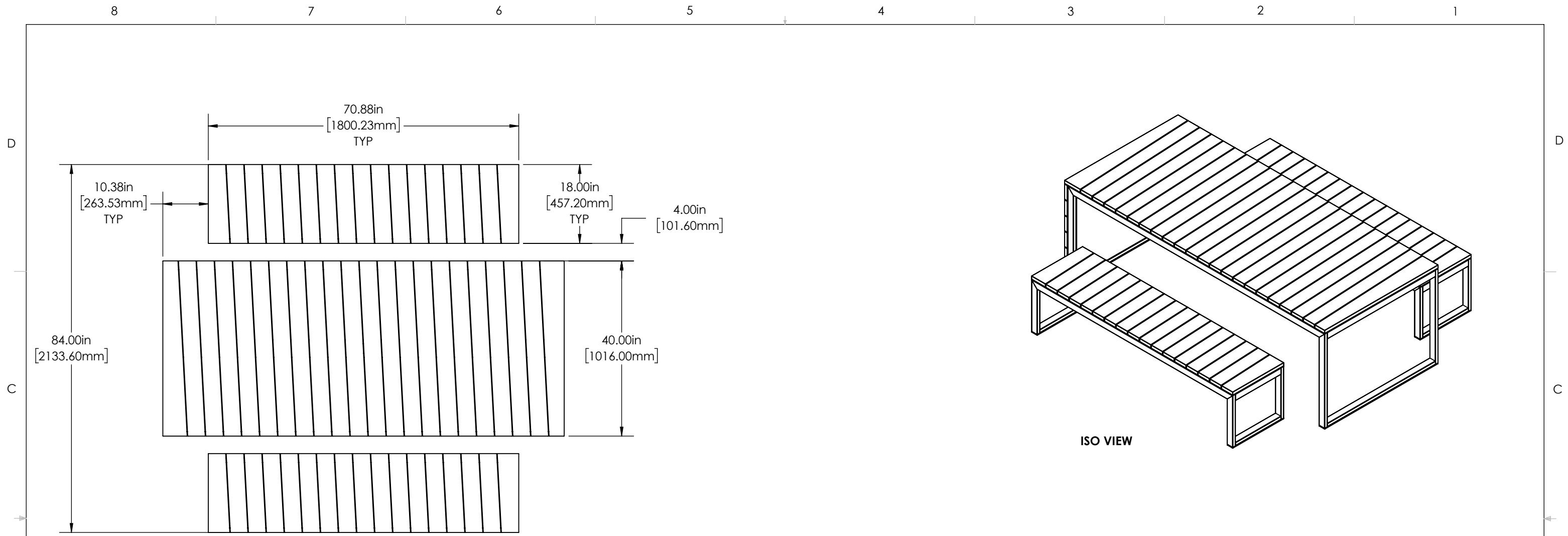


SECTION A-A

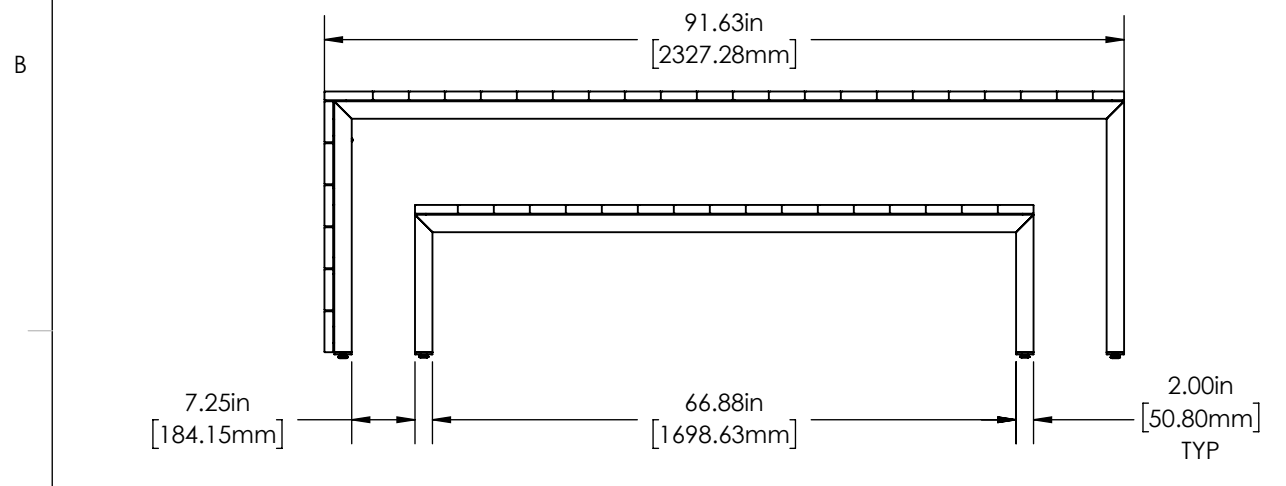
8 7 6 5 4 3 2 1

<b>FORMS+SURFACES</b>		30 Pine Street, Pittsburgh, PA 15223 Tel (412) 781-9003	
NAME	DATE	DESCRIPTION:	
DWN SAS	01/19/2023	<b>DUO TABLE ENSEMBLE</b>	
CHK RBR	01/19/2023		
THIRD ANGLE PROJECTION		<b>STDUO, CAFE, N, CUMARU, NO UMBRELLA HOLE, SURFACE MOUNT</b>	
DO NOT SCALE DRAWING			
PROPRIETARY AND CONFIDENTIAL THE INFORMATION CONTAINED IN THIS DRAWING IS THE SOLE PROPERTY OF FORMS + SURFACES. ANY REPRODUCTION IN PART OR AS A WHOLE WITHOUT WRITTEN PERMISSION IS PROHIBITED.			
SIZE	DWG. NO.	REV	SHEET
B	STDUO-T4092-N-CU-~---NUM-SFM	0	2 OF 2

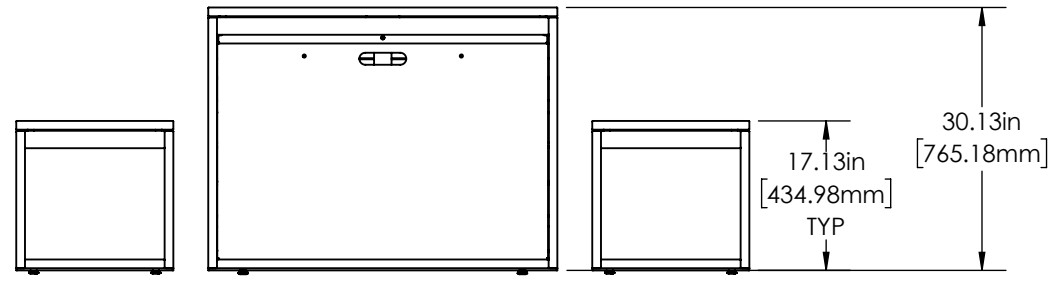
UPDATED ON: 01/19/2023



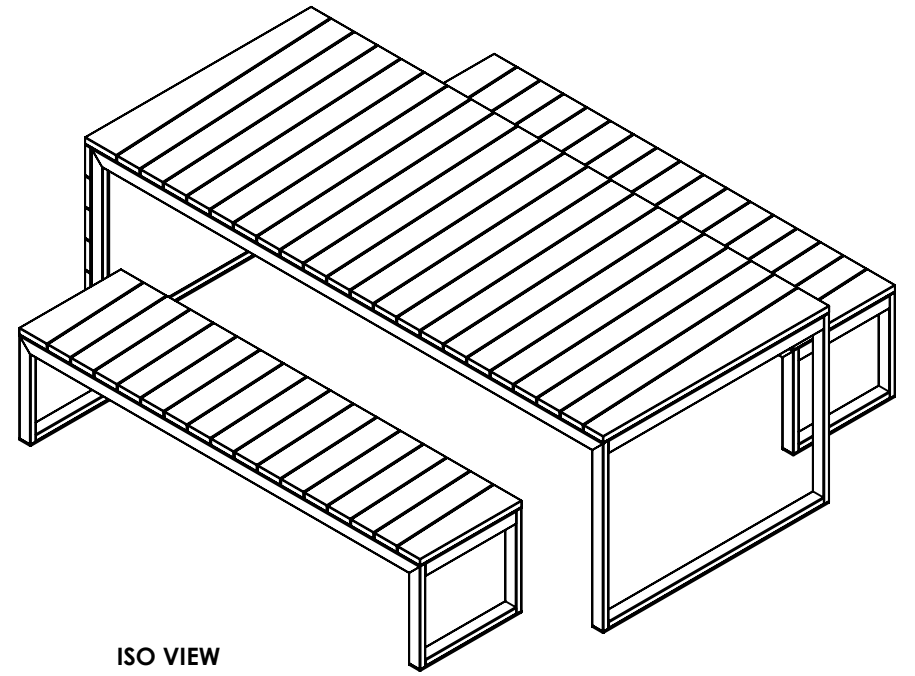
TOP VIEW



FRONT VIEW



SIDE VIEW



ISO VIEW

<b>FORMS+SURFACES</b>		30 Pine Street, Pittsburgh, PA 15223 Tel (412) 781-9003	
NAME	DATE	DESCRIPTION:	
DWN SAS	01/19/2023	<b>DUO TABLE ENSEMBLE</b>	
CHK RBR	01/19/2023		
THIRD ANGLE PROJECTION		<b>STDUO, CAFE, N, CUMARU, NO UMBRELLA HOLE, FREESTANDING</b>	
DO NOT SCALE DRAWING		SIZE	DWG. NO.
PROPRIETARY AND CONFIDENTIAL THE INFORMATION CONTAINED IN THIS DRAWING IS THE SOLE PROPERTY OF FORMS + SURFACES. ANY REPRODUCTION IN PART OR AS A WHOLE WITHOUT WRITTEN PERMISSION IS PROHIBITED.		B	STDUO-T4092-N-CU-~--NUM-FRS
REV	SHEET		
0	1 OF 1		

UPDATED ON: 01/19/2023